

CONTROL MODES

- Indexer, Point-to-Point, PVT
- Camming, Gearing, Position/Velocity/Torque

COMMAND INTERFACE

- CANopen
- ASCII and discrete I/O
- Stepper commands
- ± 10 Vdc analog Position/Velocity/Torque
- PWM Velocity/Torque command
- Master encoder (Gearing/Camming)

COMMUNICATIONS

- CANopen
- RS-232

FEEDBACK

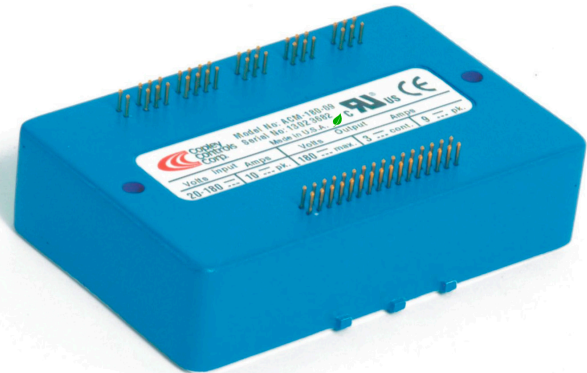
- Digital Quad A/B/X encoder
- Secondary encoder
- Digital Halls
- Resolver *

I/O - DIGITAL

- 10 inputs, 2 outputs

DIMENSIONS: MM [IN]

- 102 x 69 x 25 [4.0 x 2.7 x 1.0]

Model	Vdc	Ic	Ip
ACM-055-18	20 - 55	6	18
ACM-090-09	20 - 90	3	9
ACM-090-24	20 - 90	12	24
ACM-090-60	20 - 90	30	60
* ACM-090-60-R	20 - 90	30	60
ACM-180-09	20 - 180	3	9
ACM-180-20	20 - 180	10	20

DESCRIPTION

Accelnet is a digital servo drive that combines CANopen networking with 100% digital control of brush or brushless motors in a pc board mounting package with power options to 30 Adc continuous and 60 Adc peak and power supplies from 20 Vdc to 180 Vdc.

Accelnet operates as a Motion Control Device using the DSP-402 protocol under the CANopen CiA-301 V4.2.0 (EN 50325-4) application layer. DSP-402 modes supported include Interpolated Position (PVT), Profile Position, Profile Velocity, Profile Torque, and Homing.

Ten logic inputs are configurable as CAN address bits, enable, limit & home switches, motor temperature switch, stepper/encoder pulses, and reset. There are two logic outputs for reporting drive status, or driving a motor brake.

In addition to CANopen motion commands, Accelnet can operate using incremental position commands from step-motor controllers in Pls/Dir or CW/CCW format, as well as A/B quadrature commands from a master-encoder which can drive cam tables or be geared to ratio the drive position to that of the master-encoder. A ± 10 Vdc analog input can also control Position/Velocity/Torque.

Drive commissioning is facilitated by CME software operating under Windows® communicating with Accelnet via an RS-232 link. Auto-tuning algorithms in CME slash set up times for fast system commissioning by automating motor phasing, and current-loop tuning. A powerful oscilloscope and waveform generator display drive performance for fine tuning. Drive configurations are saved in non-volatile flash memory.

Space-vector modulation delivers higher motor speeds and lower motor power dissipation than conventional sine-pwm modulation. Carrier-cancellation modulation all but eliminates motor ripple current and dissipation at a standstill. Current-loop sampling is at 15 kHz, position and velocity loops at 3 kHz and PWM ripple at 30 kHz. All drive circuits are DC coupled and operate from unregulated transformer-isolated linear DC power supplies, or regulated switching power supplies.

The PC board mounting package is suitable for high density, multi-axis installations in equipment where space is at a premium, and wiring must be minimized.

GENERAL SPECIFICATIONS

Test conditions: Load = Wye connected load: 1 mH+ 1 Ω line-line. Ambient temperature = 25 °C. +HV = HV_{max}

MODEL	ACM-055-18	ACM-090-09	ACM-090-24	ACM-090-60	ACM-180-09	ACM-180-20	
				ACM-090-60-R			

OUTPUT POWER

Peak Current	18 (12.7)	9 (6.34)	24 (17.0)	60 (42.4)	9 (6.34)	20 (14.14)	Adc (Arms)
Peak time	1	1	1	1	1	1	Sec
Continuous current	6 (4.24)	3 (2.1)	12 (8.5)	30 (21.2)	3 (2.1)	10 (7.1)	Adc (Arms)
Peak Output Power	0.99	0.81	2.16	5.4	1.6	3.6	kW
Continuous Output Power	0.33	0.27	1.08	2.7	0.8	1.8	kW

INPUT POWER

HVmin to HVmax	+20 to +55	+20 to +90	+20 to +90	+20 to +180	+20 to +180	+20 to +180	Vdc
Ipeak	18	9	24	60	9	20	Adc
Icont	6	3	12	30	3	10	Adc
Aux HV	+20 to HVmax		2.5 W max		Optional keep-alive power input when +HV is removed		

PWM OUTPUTS

Type	MOSFET 3-phase inverter, 15 kHz center-weighted PWM carrier, space-vector modulation						
PWM ripple frequency	30 kHz						

BANDWIDTH

Current loop, small signal	2.5 kHz typical, bandwidth will vary with tuning & load inductance
HV Compensation	Changes in HV do not affect bandwidth
Current loop update rate	15 kHz (66.7 μ s)
Position & Velocity loop update rate	3 kHz (333 μ s)

COMMAND INPUTS

CANopen bus	Operating Modes	Profile Position, Profile Velocity, Profile Torque Interpolated Position (PVT), Homing Stepper commands (2 Mhz maximum rate)
Digital position reference	Pls/Dir, CW/CCW Quad A/B Encoder	2 Mline/sec, (8 Mcount/sec after quadrature)
Digital torque & velocity reference (Note 1)	PWM , Polarity PWM PWM frequency range PWM minimum pulse width	PWM = 0~100%, Polarity = 1/0 PWM = 50% +/-50%, no polarity signal required 1 kHz minimum, 100 kHz maximum 220 ns
Analog torque/velocity/position	\pm 10 Vdc, 5 k Ω differential input impedance	

DIGITAL INPUTS (NOTE 1)

Number	10
All inputs	74HC14 Schmitt trigger operating from +5 Vdc with RC filter on input, and pull-ups to +5 Vdc RC time-constants assume active drive on inputs and do not include pull-ups Active level of all inputs is selectable, functions of [IN2~10] are selectable
Logic levels	Vin-LO < 1.35 Vdc, Vin-HI > 3.65 Vdc for all inputs
Enable [IN1]	1 dedicated input for drive enable, 10 k Ω pull-up, 330 μ s RC filter, 24 Vdc max
GP [IN2,3,4]	3 General Purpose inputs, 10 k Ω pull-ups, 330 μ s RC filter (33 μ s for [IN4]), 24 Vdc max
Motemp [IN5]	1 General Purpose input with, 4.99 k Ω pull-up, 330 μ s RC filter, 24 Vdc max
HS [IN6,7,8,9,10]	5 High-Speed inputs, 10 k Ω pull-ups, with 100 ns RC filter, 12 Vdc max

DIGITAL OUTPUTS (NOTE 1)

Number	2
Type	Current-sinking MOSFET open-drain output with 1 k Ω pull-up to +5 Vdc through diode 1 Adc sink max, +30 Vdc max
Functions	Programmable with CME
Active Level	Programmable to either HI (off, pull-up to +5 Vdc) or LO (on, current-sinking) when output is active

RS-232 COMMUNICATION PORT

Signals	RxD, TxD, Gnd: Full-duplex, serial communication port for drive setup and control, 9,600 to 115,200 Baud
---------	--

CANOPEN COMMUNICATION PORT

Signals	CANH, CANL, Gnd: 1 Mbit/sec maximum.
Protocol	CANopen Application Layer CiA-301 V4.2.0
Device	CiA-402 Device Profile for Drives and Motion Control

MOTOR CONNECTIONS

Motor U,V,W	Drive outputs to 3-phase brushless motor, Wye or delta connected (DC brush motor use outputs U & V)
Encoder	Quadrature encoder, differential inputs (A,/A,B,/B,X,/X), 5 Mlines/sec (20 Mcount/sec after quadrature)
Resolver	R1, R2, S3, S1, S2, S4 (-R option)
Halls	Hall signals (U,V,W)
Motemp	Motor temperature sensor or switch

RESOLVER (ACM-090-60-R only)

Type	Brushless, single-speed, 1:1 to 2:1 programmable transformation ratio
Resolution	14 bits (equivalent to a 4096 line quadrature encoder, 16384 counts)
Reference frequency	7.5 kHz
Reference voltage	2.8 Vrms, auto-adjustable by the drive to maximize feedback
Reference maximum current	100 mA
Maximum RPM	10,000+

PROTECTIONS

HV Overvoltage	+185, +91, +56 Vdc	Drive outputs turn off until +HV is < overvoltage (for 180, 90, 55 Vdc models)
HV Undervoltage	+HV < +20 Vdc	Drive outputs turn off until +HV \geq +20 Vdc
Drive over temperature	PC Board > 70 °C.	Drive latches OFF until drive is reset, or powered off-on
Short circuits		Output to output, output to ground, internal PWM bridge faults
I ² T Current limiting		Programmable: continuous current, peak current, peak time
Latching / Non-Latching		Programmable

NOTES

- [IN1] is not programmable and always works as drive Enable. Other digital inputs are programmable.

MECHANICAL & ENVIRONMENTAL

Size	4.05 in (102.7 mm) X 2.62 in (66.5 mm) X 0.92 in (24.9 mm)
Weight	5.7 oz (0.16 kg)
Ambient temperature	0 to +45°C operating, -40 to +85°C storage
Humidity	0 to 95%, non-condensing
Vibration	2 g peak, 10~500 Hz (sine), IEC60068-2-6
Shock	10 g, 10 ms, half-sine pulse, IEC60068-2-27
Contaminants	Pollution degree 2
Environment	IEC 60068-2
Cooling	Heatsink required for continuous power output

AGENCY STANDARDS CONFORMANCE

In accordance with EC Directive 2014/30/EU (EMC Directive)

EN 55011	CISPR 11:2003/A2:2006 Industrial, Scientific, and Medical (ISM) Radio Frequency Equipment – Electromagnetic Disturbance Characteristics – Limits and Methods of Measurement Group 1, Class A
EN 61000-6-1	Electromagnetic Compatibility (EMC) – Part 6-1: Generic Standards – Immunity for residential, Commercial and Light-industrial Environments



In accordance with EC Directive 2014/35/EU (Low Voltage Directive)

IEC 61010-1	Safety Requirements for Electrical Equipment for Measurement, Control and Laboratory Use
-------------	--

Underwriters Laboratory Standards

UL 61010-1, 3rd Ed.	Safety Requirements for Electrical Equipment for Measurement, Control and Laboratory Use
---------------------	--

UL File Number E168959

Restriction of the Use of Certain Hazardous Substances (RoHS)

Directive 2011/65/EU (RoHS II)

ROHS The ACM drive models and RDK -090-01 Development Kit are RoHS, the MDK-180-01 Development Kit is not RoHS

ACCELNET MODULE FEATURES

CANOPEN NETWORKING

Based on the CAN physical layer, a robust, two-wire communication bus originally designed for automotive use where low-cost and noise-immunity are essential, CANOpen adds support for motion-control devices and command synchronization. The result is a highly effective combination of data-rate and low-cost for multi-axis motion control systems. Device synchronization enables multiple axes to coordinate moves as if they were driven from a single control card.

CANOPEN COMMUNICATION

Accelnet uses the CAN physical layer signals CANH, CANL, and GND for connection, and CANOpen protocol for communication.

Before connecting *Accelnet* to the CAN network, it must be assigned a CAN address. This is done via the RS-232 port, which is also used for general drive setup. The CAN address is a combination of an internal address stored in flash memory, and digital inputs which have been configured to act as CAN address bits. A maximum of 127 CAN devices are allowed on a CAN bus network, so this limits the input pins used for this purpose to a maximum of seven, leaving three inputs available for other purposes. Most installations will use less than the maximum number of CAN devices, in which case the number of inputs used for a CAN address can be less than seven, leaving more inputs available for other functions.

When inputs are used for the CAN address bits, the internal address is added to the binary value that results from the inputs. If all the inputs are used as logic inputs, then the CAN address in flash memory is the drive CAN address.

RS-232 COMMUNICATION

Accelnet is configured via a three-wire, full-duplex RS-232 port that operates from 9,600 to 115,200 Baud. CME software provides a graphic user interface (GUI) to set up all of *Accelnet* features via a computer serial port.

The RS-232 port is used for drive set up and configuration. Once configured, *Accelnet* can be used in stand-alone mode taking digital position, velocity, or torque commands from a controller, or as a networked drive on a CANOpen bus.

REFERENCE INPUTS

As a network drive, the primary command input is the CANOpen bus. But, *Accelnet* can also operate in stand-alone mode, taking Position, Velocity, or Current (torque, force) commands in digital format or $\pm 10V$ from a motion controller.

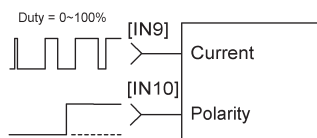
DIGITAL REFERENCE INPUTS

Two logic inputs are used as digital reference inputs in the stand-alone mode. These will be assigned automatically to inputs that have the HS filters.

Current (torque, force) mode commands can be in one or two-wire format. In the one-wire format (50% PWM), a single input takes a square waveform that has a 50% duty cycle when the drive output should be zero. Thereafter, increasing the duty cycle to 100% will command an output current that will produce a maximum force or torque in a positive direction of motion, and decreasing the duty cycle to 0% will produce a maximum negative torque or force output.

In two-wire format (PWM/Dir), one input takes a PWM waveform of fixed frequency and variable duty cycle, and the other input takes a DC level that controls the polarity of the output current. The active level of the PWM signal for 0 current output is programmable. The direction of the force or torque produced will depend on the polarity of the DC signal on the direction input.

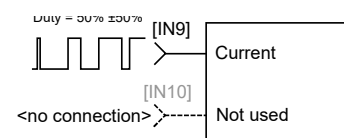
PWM/DIR INPUTS



PC BOARD MOUNTING

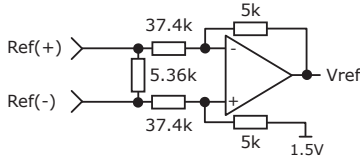
The small size, and cooling options enable *Accelnet* to be integrated into machinery with fewer cables and connections, and closer to the motor when required. Copley provides standard and low-profile heatsinks to match drive dissipation with ambient temperature and mounting conditions. In addition, the *Accelnet* case has tabs molded-in that accept Socket-A compatible chip-coolers (not available from Copley) which have integral fans to provide even greater cooling capacity.

PWM 50% INPUTS



ANALOG COMMAND INPUT

The analog input can control position, velocity, or torque. When using this input, Ref(+) and Ref(-) must both be connected to the controller. This differential connection is important for two reasons. First, for rejection of noise between controller and drive grounds. Second, because if one Ref input is left open, grounding of the other input will produce a ±2% of peak-current command, not a 0% command.



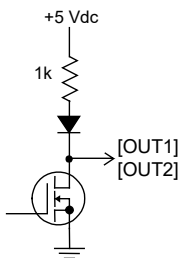
DIGITAL OUTPUTS

The digital outputs [OUT1], and [OUT2] are open-drain MOSFETs with 1 kΩ pull-up resistors in series with a diode to +5 Vdc. They can sink up to 1 Adc from external loads operating from power supplies to +30 Vdc.

The outputs are typically configured as drive fault and motor brake. Additional functions are programmable.

As a drive fault output, the active level is programmable to be HI or LO when a drive fault occurs. As a brake output, it is programmable to be either HI or LO to release a motor brake when the drive is enabled.

When driving inductive loads such as a relay, an external fly-back diode is required. A diode in the output is for driving PLC inputs that are opto-isolated and connected to +24 Vdc. The diode prevents conduction from +24 Vdc through the 1 kΩ resistor to +5 Vdc in the drive. This could turn the PLC input on, giving a false indication of the drive output state.



DIGITAL INPUTS

There are ten digital inputs to Accelnet, nine of which can be programmed to a selection of functions. The Enable input which controls the on/off state of the PWM outputs is fixed to [IN1] as a safety measure so that cannot be programmed in such a way that, once installed, it could not be shut down by the controller. The other nine inputs can be set to a selection of functions. Two types of RC filters are used: GP (General Purpose), and HS (High-Speed). Input functions such as Pulse/Direction, CW/CCW, Quad A/B typically are wired to inputs having the HS filters, and inputs with the GP filters are used for general purpose logic functions, limit switches, and the motor temperature sensor. Input [IN4] has a 33 μs RC filter.

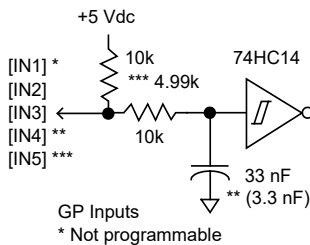
Programmable functions of the I/O inputs are:

- Positive Limit switch
- Negative Limit switch
- Home switch
- Drive Reset
- PWM current or velocity control
- CAN address
- Pls/Dir, or CW/CCW step motor control pulses
- Quad A/B master encoder position commands
- Motor temperature sensor or switch input
- Motion Profile Abort
- High-resolution analog divide

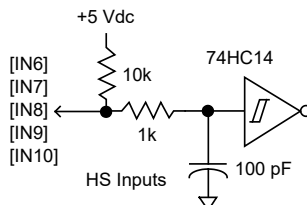
In addition to the selection of functions, the active level for each input is individually programmable.

Drive reset takes place on transitions of the input and is programmable to 1/0 or 0/1. The motor temp sensor function will disable the drive if a switch in the motor opens or closes when the motor overheats.

GENERAL-PURPOSE INPUTS



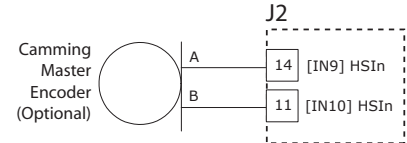
HIGH-SPEED INPUTS



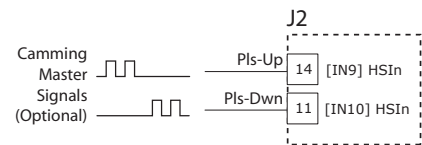
CAM MASTER

When operating in Camming mode an incremental encoder may be the Master input and connects to [IN9] and [IN10]. Other types of digital signals can be used, too. Pulse & Direction or Pulse-Up/Pulse-Down formats are supported.

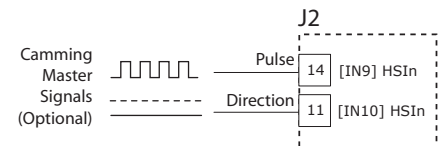
QUAD A/B ENCODER



PULSE-UP, PULSE-DOWN



PULSE-DIRECTION

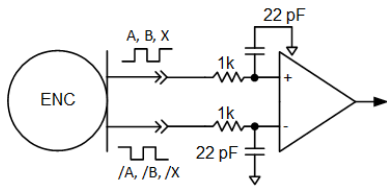


MOTOR CONNECTIONS

Motor connections are of three types: phase, Halls, and encoder. The phase connections carry the drive output currents that drive the motor to produce motion. The Hall signals are three digital signals that give absolute position feedback within an electrical commutation cycle. The encoder signals give incremental position feedback and are used for velocity and position modes, as well as sinusoidal commutation.

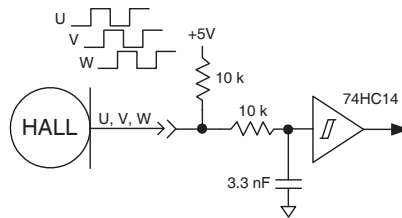
MOTOR ENCODER

The motor encoder interface is a differential line-receiver with R-C filtering on the inputs. Encoders with differential outputs are preferred because they are less susceptible to noise that can be picked on single-ended outputs. PC board layouts should route the encoder signal-pairs as close to each other as possible for best transmission-line characteristics. If single-ended encoders are used, a pull-up resistor should be installed on the PC board, and the unused input can be left open. If this is done, it is recommended that the inverting input be left open as its' open-circuit voltage of 2.0 Vdc (typical) is closer to TTL and CMOS levels than the non-inverting input which has an open-circuit voltage of 2.9 Vdc (typical). The encoder input circuit is shown below. +5Vdc must be supplied from an external source.



MOTOR HALL SIGNALS

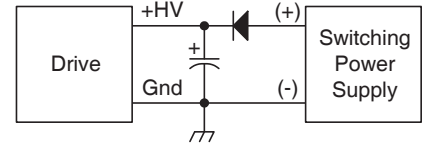
Hall signals are single-ended signals that provide absolute feedback within one electrical cycle of the motor. There are three of them (U, V, & W) and they may be sourced by magnetic sensors in the motor, or by encoders that have Hall tracks as part of the encoder disc. They typically operate at much lower frequencies than the motor encoder signals, and in *Accelnet* they are used for commutation-initialization after startup, and for checking the motor phasing after the drive has switched to sinusoidal commutation.



POWER SUPPLIES

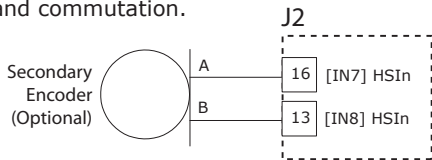
Accelnet operates typically from transformer isolated, unregulated DC power supplies. These should be sized such that the maximum output voltage under high-line and no-load conditions does not exceed the drives maximum voltage rating. Power supply rating depends on the power delivered to the load by the drive. In many cases, the continuous power output of the drive is considerably higher than the actual power required by an incremental motion application.

Operation from regulated switching power supplies is possible if a diode is placed between the power supply and drive to prevent regenerative energy from reaching the output of the supply. If this is done, there must be external capacitance between the diode and drive. The minimum value required is 330 µF per drive.



SECONDARY ENCODER

A secondary incremental encoder can be connected to [IN7] and [IN8] for dual-loop position control. A typical use for this would be a gear-motor driving a leadscrew. An encoder on the leadscrew would give the position of the load while the motor encoder and Halls would be used for velocity control and commutation.



MOTOR PHASE CONNECTIONS

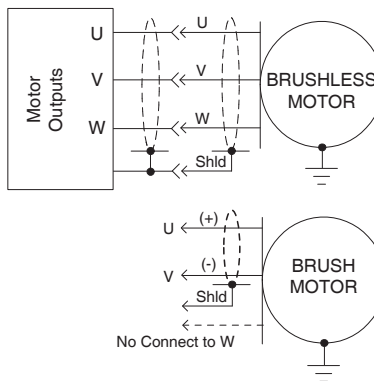
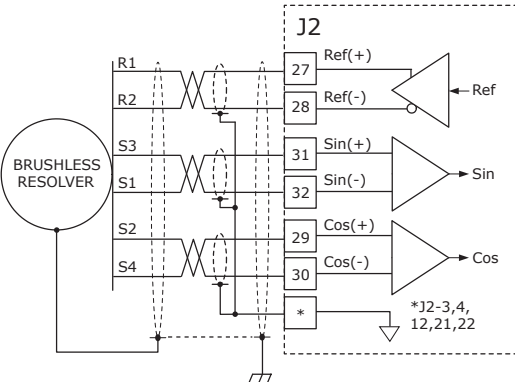
The drive output is a three-phase PWM inverter that converts the DC buss voltage (+HV) into three sinusoidal voltage waveforms that drive the motor phase-coils. The peak voltage between adjacent etches on the PC board is equal to the +HV power, and peak and continuous currents will not be greater than the ratings of the particular drive model. A trace width of 0.100 in, plating thickness of 4 oz copper, and spacing of 0.025 in is required for the ACM-090-60 +HV, Gnd, and motor phase connections. Lower current models can use smaller widths and thicknesses.

AUX HV INPUT

Accelnet can continue to communicate on a CANopen network under EMO (Emergency Off) conditions if auxiliary DC power is connected to the Aux HV input. This powers the internal DC/DC converter so that motor position and drive communications are preserved while +HV is removed from the PWM inverter stage. The minimum voltage is +20 Vdc, and the maximum is the same as the drive maximum +HV rating. The current requirements will vary with voltage and can be calculated based on an average power consumption of 2.5 W.

RESOLVER (ACM-090-60-R only)

Connections to the resolver should be made with shielded cable that uses three twisted-pairs. Once connected, resolver set up, motor phasing, and other commissioning adjustments are made with CME software. There are no hardware adjustments.

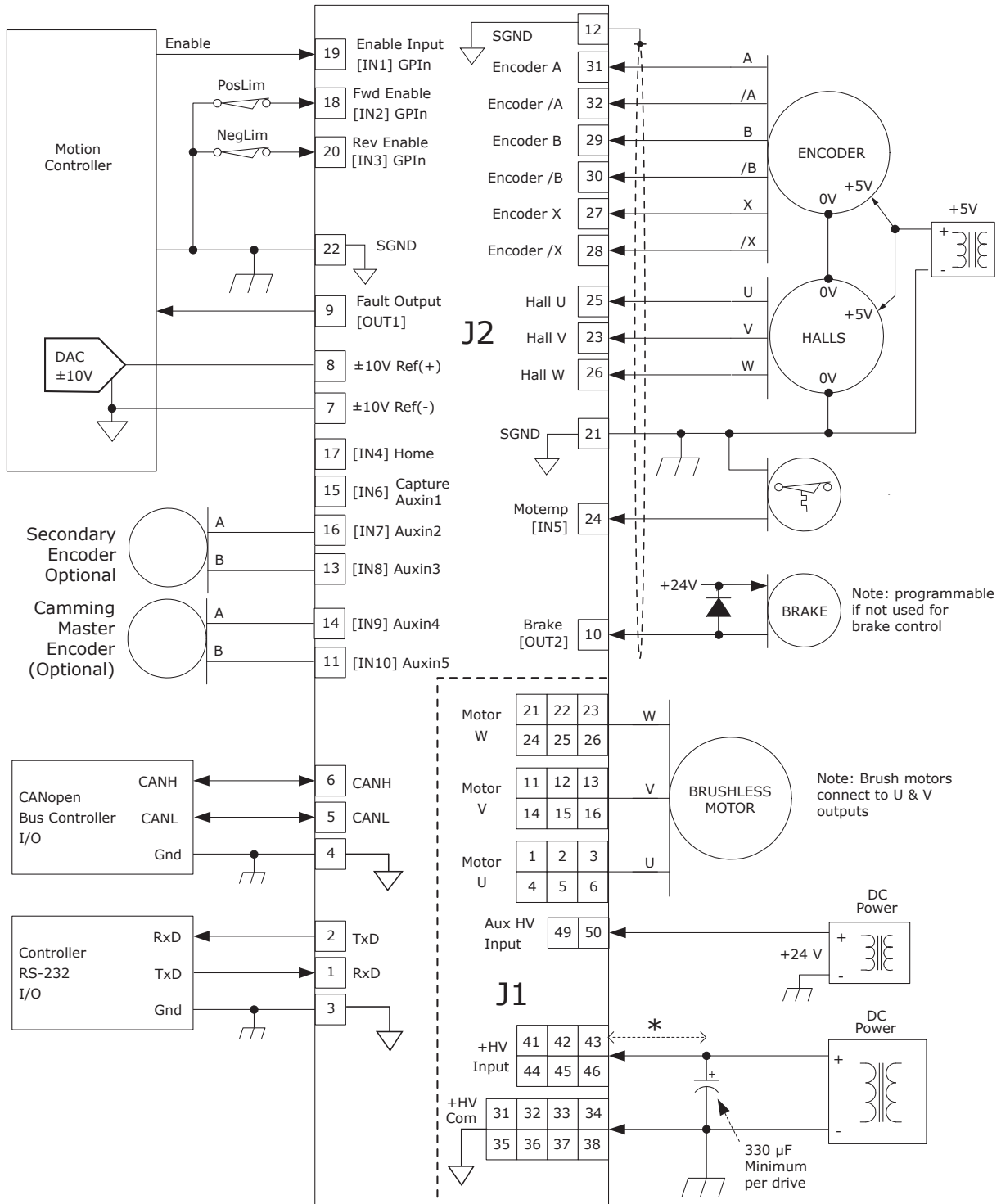


MOUNTING AND COOLING

Accelnet mounts on PC boards using two, dual-row, 0.1 in female headers. These permit easy installation and removal of the drive without soldering. Threaded standoffs swaged into the PC board provide positive retention of the drive and permit mounting in any orientation. Cooling options are: no heatsink and convection heatsinks.

Convection heatsinks are available from Copley in standard, or low-profile forms.

TYPICAL DRIVE CONNECTIONS (SEE PAGE 8 FOR ACM-090-60-R)



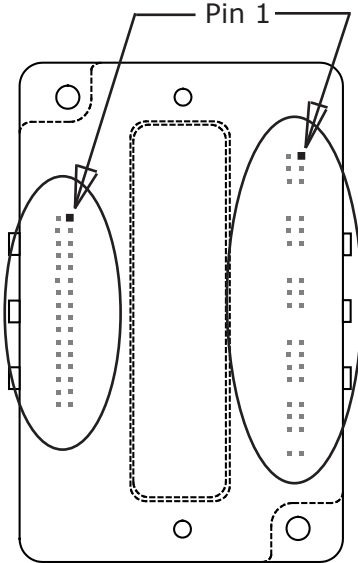
*Mount external capacitor <= 12" (30 cm) from drive

NOTES

- [IN1] always functions as Drive Enable and is not programmable. [IN2]~[IN10] are programmable.
- HS inputs [IN6,7,8,9,10] are for high-speed signals and have 100 ns RC filters. GP inputs [IN1,2,3,5] have 330 µs filters, [IN4] has a 33 µs filter. RC filter time constants apply when inputs are driven by active sources and do not include the 10 kΩ pull-up resistors.

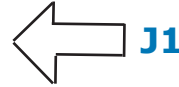
DRIVE PC BOARD CONNECTORS

J2: Signal
Dual row, 0.1" centers
32 position female header
SAMTEC SSW-116-01-S-D



Drive viewed from above looking down on the pc board on which it is mounted.
Pins and housing shapes are shown in phantom view.

J1: +HV, Aux HV, Gnd, & Motor Outputs
Dual row, 0.1" centers
Female header
SAMTEC SSW-125-01-S-D



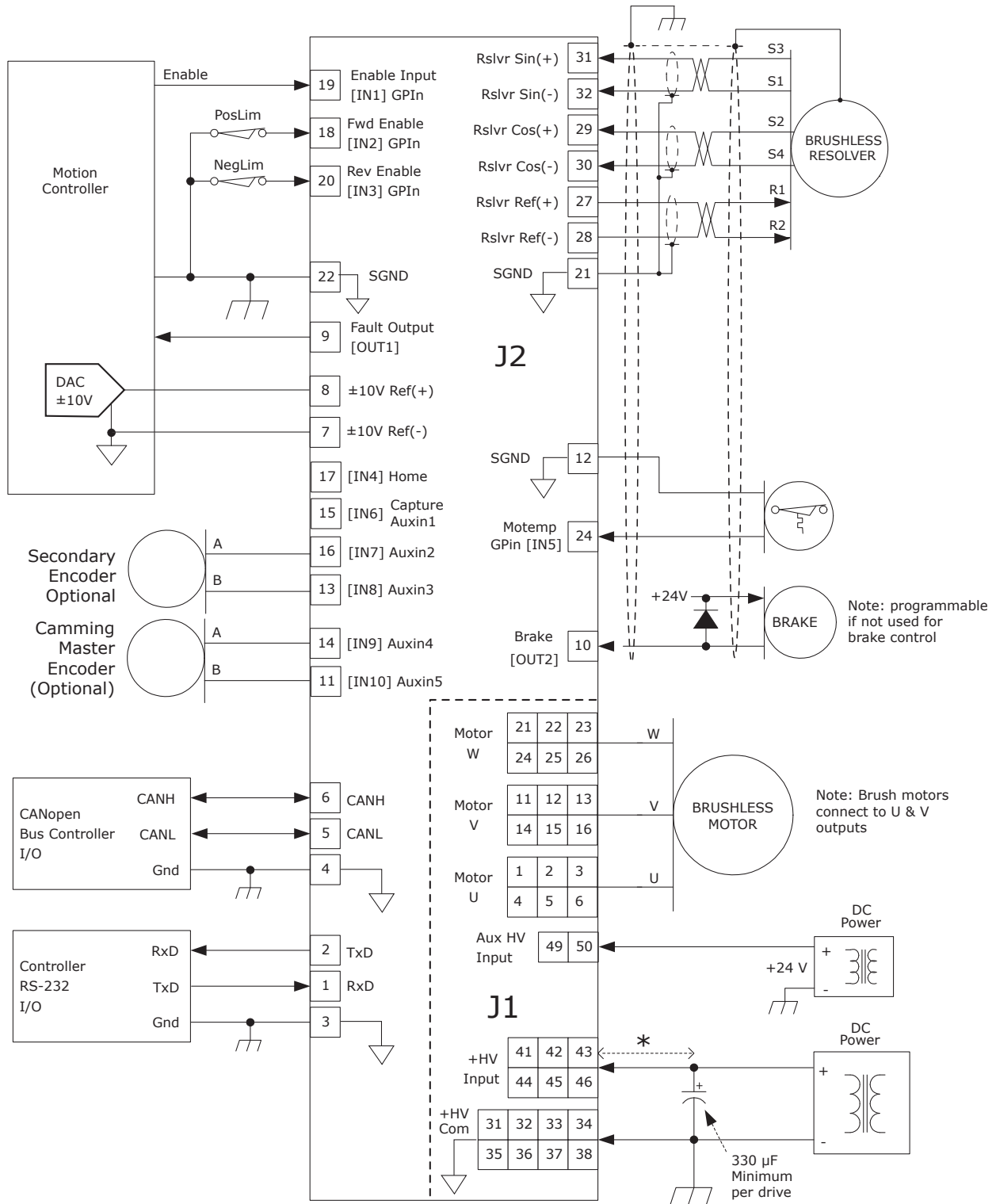
Signal	J2 PIN	SIGNAL
RS-232 TxD	2	RS-232 RxD
Signal Ground	4	Signal Ground
CAN_H	6	CAN_L
±10V Ref(+)	8	±10V Ref(-)
Brake [DOUT2]	10	[DOUT1] Fault
Signal Ground	12	[IN10] CAN-Bit 3
CAN-Bit 2 [IN9]	14	[IN8] CAN-Bit 1
CAN-Bit 0 [IN7]	16	[IN6] Capture
Fwd Enable [IN2]	18	[IN4] Home
Rev Enable [IN3]	20	[IN1] Enable
Signal Ground	22	Signal Ground
Motemp [IN5]	24	Hall V
Hall W	26	Hall U
Encoder /X	28	Encoder X
Encoder /B	30	Encoder B
Encoder /A	32	Encoder A

Signal	J1 Pin		Signal
MotorU	2	1	MotorU
	4	3	
	6	5	
No Connection	8	7	No Connection
	10	9	
MotorV	12	11	MotorV
	14	13	
	16	15	
No Connection	18	17	No Connection
	20	19	
MotorW	22	21	MotorW
	24	23	
	26	25	
No Connection	28	27	No Connection
	30	29	
HV COM (Ground)	32	31	HV COM (Ground)
	34	33	
	36	35	
	38	37	
No Connection	40	39	No Connection
+HV	42	41	+HV
	44	43	
	46	45	
No Connection	48	47	No Connection
Aux HV	50	49	Aux HV

NOTES

1. Signals are grouped for current-sharing on the power connector. When laying out pc board artworks, all pins in groups having the same signal name must be connected.

ACM-090-60-R CONNECTIONS



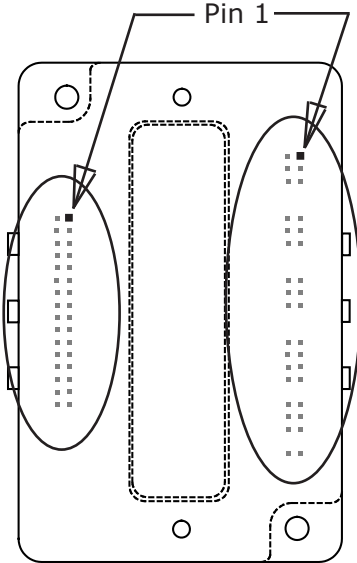
NOTES

* Mount external capacitor <= 12" (30 cm) from drive

- [IN1] always functions as Drive Enable and is not programmable. [IN2]~[IN10] are programmable.
- HS inputs [IN6,7,8,9,10] are for high-speed signals and have 100 ns RC filters. GP inputs [IN1,2,3,5] have 330 µs filters, [IN4] has a 33 µs filter. RC filter time constants apply when inputs are driven by active sources and do not include the 10 kΩ pull-up resistors.

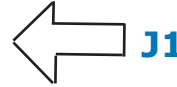
ACM-090-60-R CONNECTIONS

J2: Signal
Dual row, 0.1" centers
32 position female header
SAMTEC SSW-116-01-S-D



Drive viewed from above looking down on the pc board on which it is mounted.
Pins and housing shapes are shown in phantom view.

J1: +HV, Aux HV, Gnd, & Motor Outputs
Dual row, 0.1" centers
Female header
SAMTEC SSW-125-01-S-D



Signal	J2 PIN	SIGNAL
RS-232 TxD	2	1 RS-232 RxD
Signal Ground	4	3 Signal Ground
CAN_H	6	5 CAN_L
±10V Ref(+)	8	7 ±10V Ref(-)
Brake [DOUT2]	10	9 [DOUT1] Fault
Signal Ground	12	11 [IN10] CAN-Bit 3
CAN-Bit 2 [IN9]	14	13 [IN8] CAN-Bit 1
CAN-Bit 0 [IN7]	16	15 [IN6] Capture
Fwd Enable [IN2]	18	17 [IN4] Home
Rev Enable [IN3]	20	19 [IN1] Enable
Signal Ground	22	21 Signal Ground
Motemp [IN5]	24	23 Hall V
Hall W	26	25 Hall U
Ref(-) Output R2	28	27 Ref(+) Output R1
Cos(-) Input S4	30	29 Cos(+) Input S2
Sin(-) Input S1	32	31 Sin(+) Input S3

Signal	J1 Pin		Signal
MotorU	2	1	MotorU
	4	3	
	6	5	
No Connection	8	7	No Connection
	10	9	
MotorV	12	11	MotorV
	14	13	
	16	15	
No Connection	18	17	No Connection
	20	19	
MotorW	22	21	MotorW
	24	23	
	26	25	
No Connection	28	27	No Connection
	30	29	
HV COM (Ground)	32	31	HV COM (Ground)
	34	33	
	36	35	
	38	37	
No Connection	40	39	No Connection
+HV	42	41	+HV
	44	43	
	46	45	
No Connection	48	47	No Connection
Aux HV	50	49	Aux HV

NOTES

1. Signals are grouped for current-sharing on the power connector. When laying out pc board artworks, all pins in groups having the same signal name must be connected.

PC BOARD DESIGN

Printed circuit board layouts for *Accelnet* drives should follow some simple rules:

1. Install a low-ESR electrolytic capacitor not more than 12 inches from the drive. PWM drives produce ripple currents in their DC supply conductors. *Accelnet* drives do not use internal electrolytic capacitors as these can be easily supplied by the printed circuit board. In order to provide a good, low-impedance path for these currents a low-ESR capacitor should be mounted as close to the drive as possible. 330 μ F is a minimum value, with a voltage rating appropriate to the drive model and power supply.

2. Connect J1 signals (U,V,W outputs, +HV, and +HV Common) in pin-groups for current-sharing. The signals on J1 are all high-current types (with the exception of the +24 Vdc Aux HV supply). To carry these high currents (up to 20 Adc peak)

the pins of J1 must be used in multiples to divide the current and keep the current carrying capacity of the connectors within specification. The diagram on page 8 shows the pin groups that must be inter-connected to act as a single connection point for pc board traces.

3. Follow IPC-2221 rules for conductor thickness and minimum trace width of J1 signals. The width and plating should depend on the model of drive used, the maximum voltage, and maximum current expected to be used for that model. Power supply traces (+HV, +HV Common) should be routed close to each other to minimize the area of the loop enclosed by the drive DC power. Noise emission or effects on nearby circuitry are proportional to the area of this loop, so minimizing it is good layout practice.

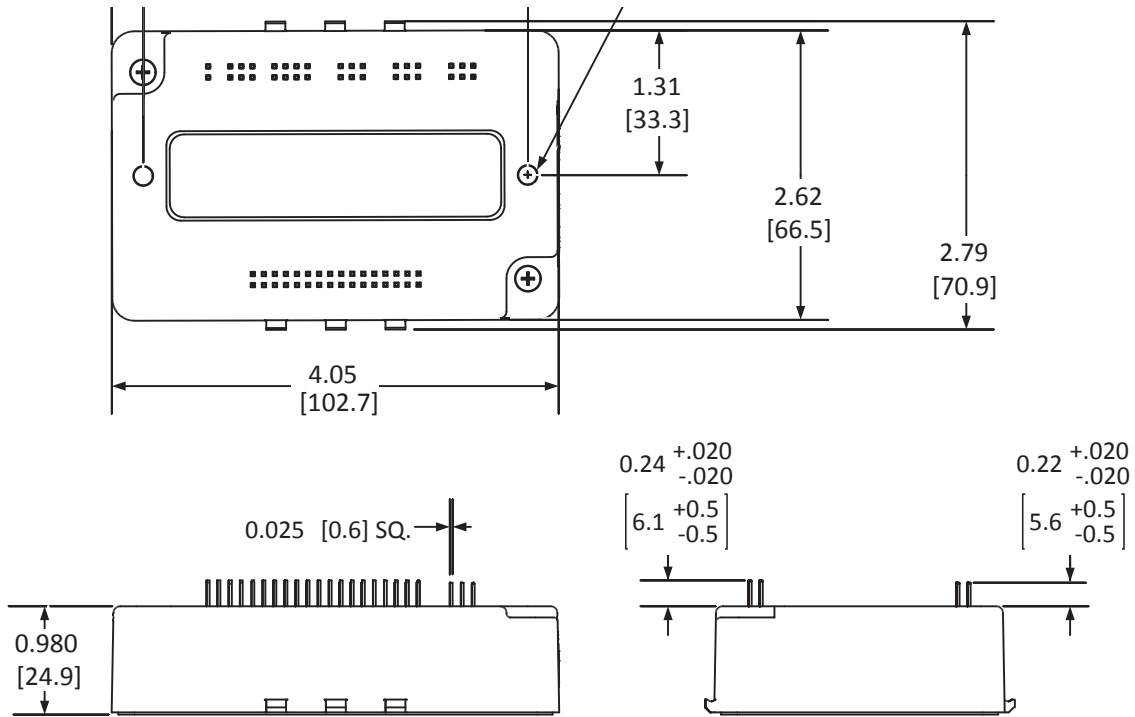
Motor signals (U,V,W) should also be routed close together. All the motor currents sum

to zero, and while the instantaneous value in a given phase will change, the sum of currents will be zero. So, keeping these traces as closely placed as possible will again minimize noise radiation due to motor phase currents.

Accelnet circuit grounds are electrically common, and connect internally. However, the J1 signals carry high currents while the grounds on J2 (signal ground) carry low currents. So, J2 signals should be routed away from, and never parallel to the signals on J1. Encoder signal pairs (A, /A, B, /B, and X, /X) should be routed close together for good transmission-line effect to reduce reflections and noise.

The drive heatplate is electrically isolated from all drive circuits. For best noise-immunity it is recommended to connect the standoffs to frame ground and to use metal mounting screws to maintain continuity between heatplate and standoffs.

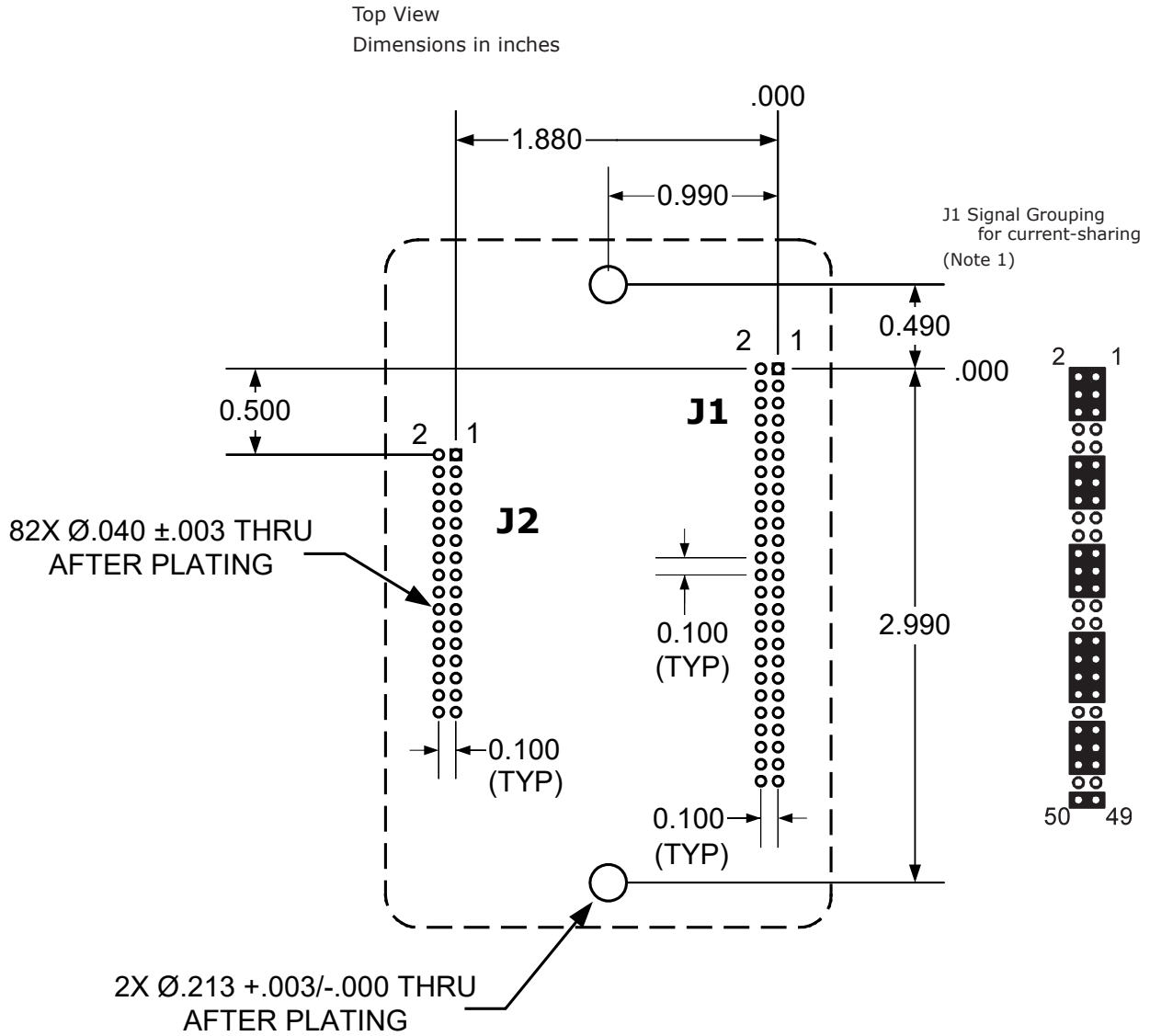
DIMENSIONS



Notes

1. Dimensions shown in inches [mm].

PC BOARD MOUNTING FOOTPRINT



Accelnet Mounting Hardware:

Qty	Description	Mfgr	Part Number	Remarks
1	Socket Strip	Samtec	SSW-116-01-S-D	J2
1	Socket Strip	Samtec	SSW-125-01-S-D	J1
2	Standoff 6-32 X 3/8"	PEM	KFE-632-12-ET	

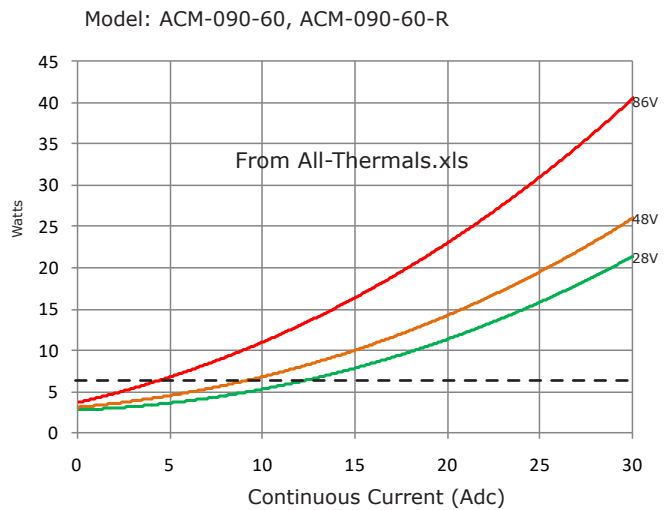
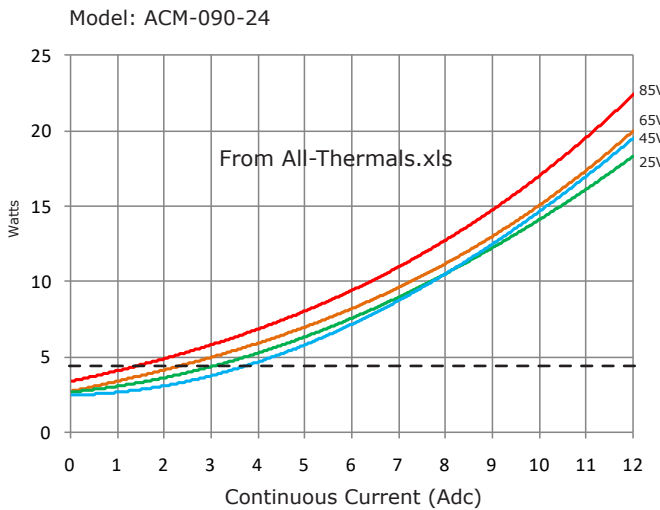
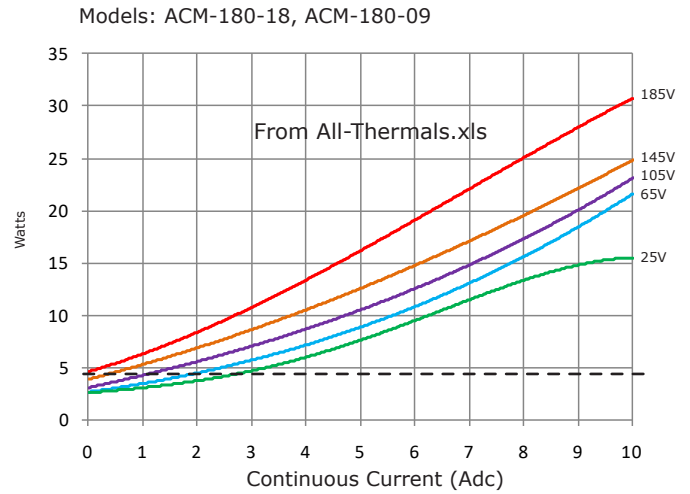
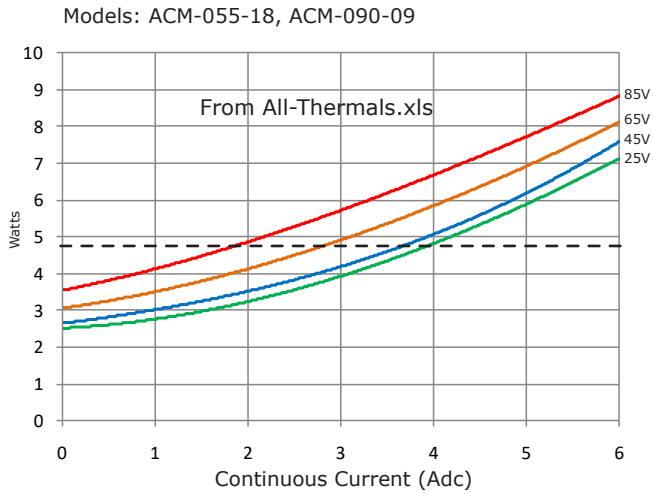
Notes

- J1 signals must be connected for current-sharing.
- To determine copper width and thickness for J1 signals refer to specification IPC-2221. (Association Connecting Electronic Industries, <http://www.ipc.org>)
- Standoffs should be connected to etches on pc board that connect to frame ground for maximum noise suppression and immunity.

POWER DISSIPATION

The charts on this page show the drive's internal power dissipation for different models under differing power supply and output current conditions. Drive output current is calculated from the motion profile, motor, and load conditions. The values on the chart represent the RMS (root-mean-square) current that the drive would provide during operation. The +HV values are for the average DC voltage of the drive power supply.

To see if a heatsink is required or not, the next step is to determine the temperature rise the drive will experience when it's installed. For example, if the ambient temperature in the drive enclosure is 40 °C, and the heatplate temperature is to be limited to 70° C or less to avoid shutdown, the maximum rise would be 70C - 40C. or 30° C. Dividing this dissipation by the thermal resistance of 6.2° C/W with no heatsink gives a dissipation of 4.8W. This line is shown in the charts below. For power dissipation below this line, no heatsink is required.

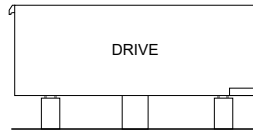
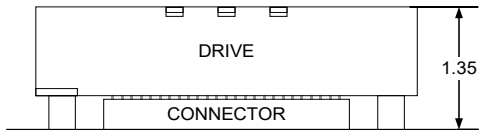


HEATSINK OPTIONS

R_{th} expresses the rise in temperature of the drive per Watt of internal power loss. The units of R_{th} are °C/W, where the °C represent the rise above ambient in degrees Celsius. The data below show thermal resistances under convection, or fan-cooled conditions for the no-heatsink, HL, and HS heatsinks.

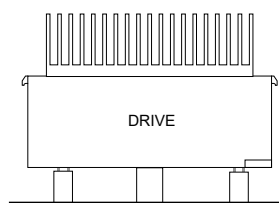
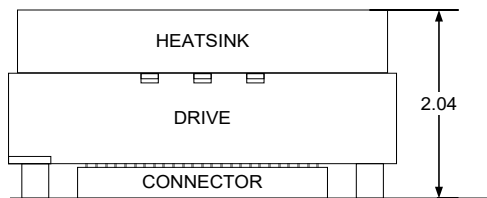
Dimensions in inches
using recommended connectors and standoffs (see page 11)

NO HEATSINK



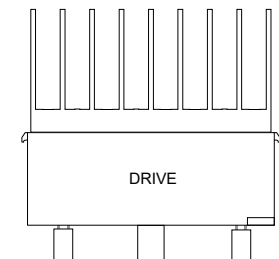
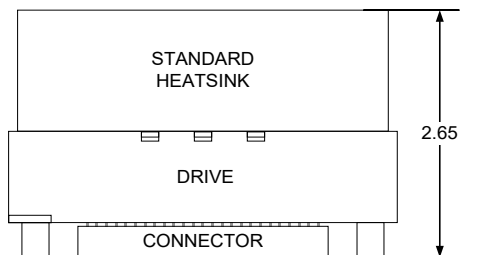
NO HEATSINK	°C/W
CONVECTDN	6.2
FORCE AIR (300 LFM)	2.1

LOW-PROFILE HEATSINK (ACM-HL)



ACM-HL HEATSINK	°C/W
CONVECTDN	4.0
FORCE AIR (300 LFM)	0.9

STANDARD HEATSINK (ACM-HS)



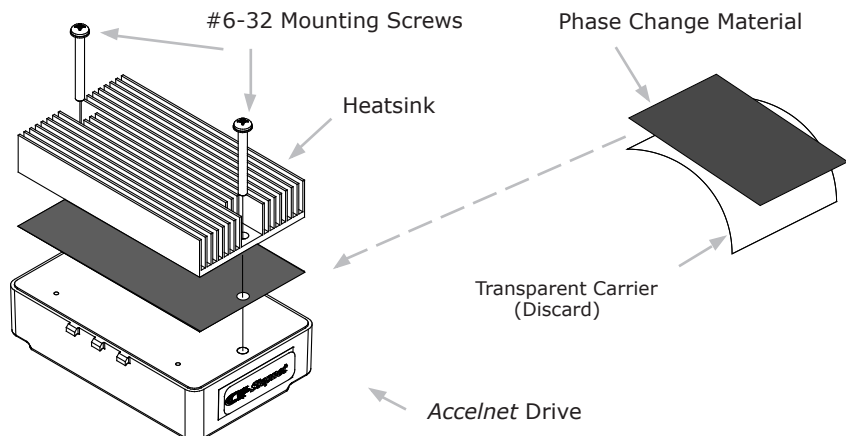
ACM-HS HEATSINK	°C/W
CONVECTDN	2.2
FORCE AIR (300 LFM)	0.5

HEATSINK INSTALLATION

If a heatsink is used it is mounted using the same type of screws used to mount the drive without a heatsink but slightly longer. Phase change material (PSM) is used in place of thermal grease. This material comes in sheet form and changes from solid to liquid form as the drive warms up. This forms an excellent thermal path from drive heatplate to heatsink for optimum heat transfer.

STEPS TO INSTALL

1. Remove the PSM (Phase Change Material) from the clear plastic carrier.
2. Place the PSM on the Accelnet aluminum heatplate taking care to center the PSM holes over the holes in the drive body.
3. Mount the heatsink onto the PSM again taking care to see that the holes in the heatsink, PSM, and drive all line up.
4. Torque the #6-32 mounting screws to 8~10 lb-in (0.9~1.13 N·m).



DESCRIPTION

There are two types of Development Kits:

MDK-180-01 for models with current ratings of 9, 18, 20, & 24 Adc.

RDK-090-01 for models with current rating of 60 Adc.

The Development Kits provide mounting and connectivity for one ACM drive. Solderless jumpers ease configuration of inputs and outputs to support their programmable functions. Switches can be jumpered to connect to digital inputs so that these can be toggled to simulate equipment operation. LED's provide status indication for the digital outputs. Dual CANopen connectors make daisy-chain connections possible so that other CANopen devices can easily be connected.

MDK-180-01

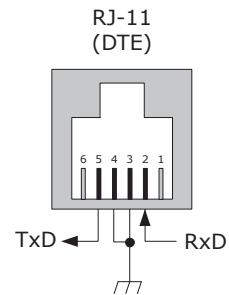


RDK-090-01



RS-232 CONNECTION

The RS-232 port is used to configure the drive for stand-alone applications, or for configuration before it is installed into a CANopen network. CME software communicates with the drive over this link and is used for complete drive setup. The CANopen node address that is set by the rotary switch can be monitored, and an address offset programmed as well. The RS-232 connector, J9, is a modular RJ-11 type that uses a 6-position plug, four wires of which are used for RS-232. A connector kit is available (SER-CK) that includes the modular cable, and an adaptor to interface this cable with a 9-pin RS-232 port on a computer.



SER-USB-RJ11 SERIAL CABLE

This provides connectivity between the computer's USB connector and the RJ-11 connector J9 on the Development Kit.



Don't forget to order a SER-USB-RJ11 when placing your order for MDK or RDK Development Kits!

CAN CONNECTORS

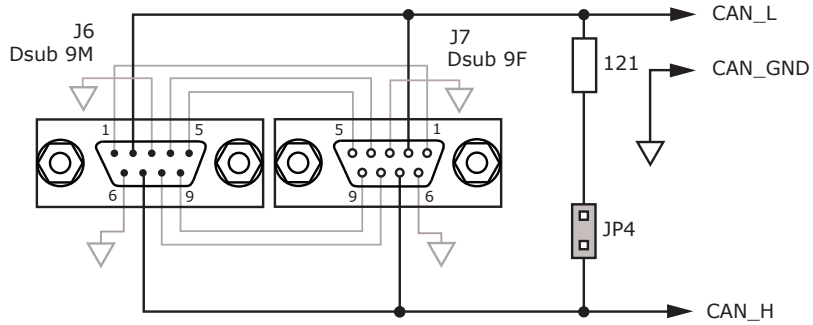
Connectors J6 & J7 are Sub-D male and female 9-position types that conform to the CAN CiA 102 Physical Layer specification. The male-female configuration supports a single cable type with male and female connectors that can be daisy-chained from device to device along a CANopen network.

Accelnet uses only the CAN_H, CAN_L, and CAN_GND signals. The CAN_GND is connected to the circuit ground on the development kit. This ground is also shared by the drive power supply, accessory +5 Vdc (for encoders), and the RS-232 link. Other DS-102 signals are wired-through for use by products that might support them.

The table below lists the signals and pins on J6 & J7. Signals in () are those that have no connection on the development kit and which are connected pin-to-pin between J6 & J7.

CAN Bus Connector Signals

PN	SIGNAL
1	(Reserved)
2	CAN_L
3	CAN_GND
4	(Reserved)
5	(CAN_SHLD)
6	No connection
7	CAN_H
8	(Reserved)
9	(Reserved)

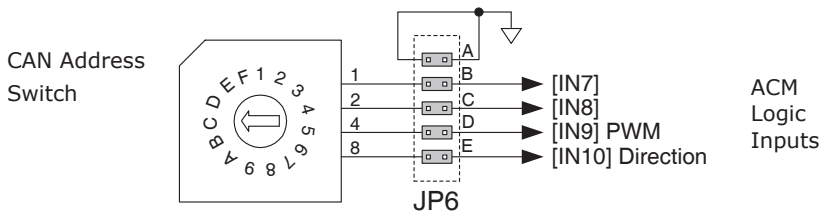


JP4 Connects termination resistor for last node on CAN bus

Important!
Install JP4 ONLY if development kit is the LAST node on a CAN bus

CAN ADDRESS SELECTION

Rotary switch SW6, labeled "CAN ADDR" connects to logic inputs 7, 8, 9, and 10 of the ACM. These are programmable inputs which default to CAN address bits. The switch will select CAN addresses 0x00 through 0x0F (0~15 decimal). Address 0x00 is reserved for network management devices so drives should use addresses 0x01~0x0F. The CAN standard permits up to 127 devices, so if the drive must have a address of 0x10 (decimal 16) or higher, this is done by programming an address offset into the drive before it is installed into the CAN bus. When this is done, the switch setting is added to the CAN offset in the drive to produce the actual CAN address.



Note: To use inputs 7,8,9, or 10 as logic inputs remove jumpers on JP6. Connections can then be made via the pins on JP6.
Inputs [IN9,10] are digital reference inputs for use when drive is used in stand-alone mode.

LOGIC INPUTS

Accelnet has ten logic inputs. On the development kit four are used for the CAN address (see CAN address selection on opposite page), five are connected either to switches or to external equipment via J3, and one is wired to J2 for the motor temperature sensor. Input [IN1] is dedicated to the drive Enable function, the others are programmable using CME software.

Each of the five inputs (IN1,2,3,4,6) is wired to two jumpers, one on JP2 and one on JP3. If the JP2 jumper is in place, the input connects to a switch on the development kit. If the JP3 jumper is in place, the signal is wired through to J3 where it is accessible to external equipment. Only one of the jumpers for any input should be installed at a time.

The switches are labeled with the default functions of these inputs, and when in the LO position, ground the inputs, and when in the HI position, leave the inputs in an open-circuit condition. Pull-up resistors in Accelnet will then pull these to +5V.

Input IN5 connects to the motor feedback connector J2 where it can connect to a temperature sensor in the motor. If a temperature sensor is not used the input can be programmed to be a logic input.

LOGIC OUTPUTS

Accelnet has two logic outputs that can drive controller logic inputs or relays. If relays are driven, then flyback diodes must be connected across their terminals to clamp overvoltages that occur when the inductance of the relay coil is suddenly turned off.

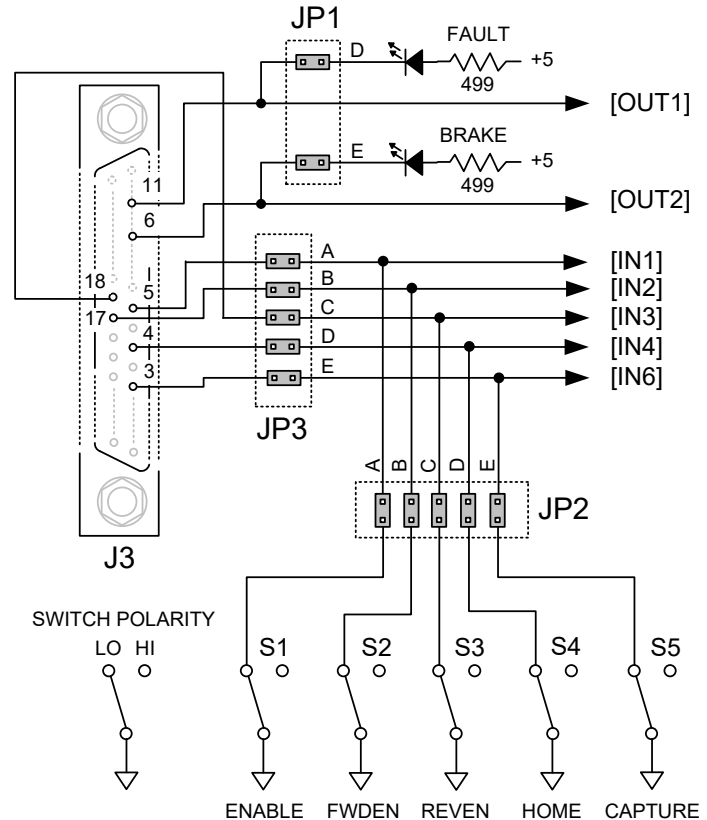
As delivered, these outputs drive two led's: FAULT, and BRAKE. Jumpers JP1-D and JP1-E connect these led's to drive outputs. The outputs are N-channel MOSFET's which sink current from loads connected to positive voltages. When the outputs are ON, they ground the cathode of the led's which then turn on as they are connected to the +5V supply via current-limiting resistors.

The logic outputs also connect to signal connector J3. If they are used to drive external loads > +5 Vdc, the jumpers must be removed.

Connecting logic inputs to development kit switches or to external devices via connector J3

Logic Input	Default Function	Switch Connection	External Connection
IN1	Enable	SW1	JP2-A J3-5 JP3-A
IN2	Fwd Enable	SW2	JP2-B J3-17 JP3-B
IN3	Rev Enable	SW3	JP2-C J3-18 JP3-C
IN4	Home	SW4	JP2-D J3-4 JP3-D
IN6	Capture	SW5	JP3-E J3-3 JP3-E

Connections for logic inputs 1,2,3,4, & 6, and logic outputs



ENCODER CONNECTIONS

The development kit has 10 kΩ pull-up resistors on the A,B, and X encoder signal inputs (J2-8, 7, 6). There are no pull-up resistors on the /A, /B, and /X inputs (J2-15,14,13). Jumpers JP1-A,B,C connect 121 Ω terminating resistors between the A-/A, B-/B, and X-/X signal pairs for use with differential-output encoders.

If single-ended encoders are used, these should be connected to the A,B,X inputs and jumpers JP1-A,B,C must be removed to take the terminating resistors out of circuit. For motors which use encoders with differential outputs, jumpers JP1-A,B,C should be installed to eliminate reflections that degrade signal quality. For longer distances between motor and drive, and to offset the effects of cable capacitance, wiring should be twisted-pair, preferably with a shield for each pair.

Encoder power is supplied from an external +5 Vdc supply with sufficient current to drive the motor encoder. Typically these will be 250 mA or less. In cases where an encoder uses a separate interpolator module to process the data, current demand may be higher. Consult the motor encoder literature to be sure that the +5 Vdc supply can handle the encoder power requirements.

POWER SUPPLIES

Drive main power, +HV, is typically supplied by unregulated DC power supplies. These must be isolated from the mains, and all circuits should be grounded to earth at some point.

The +HV supply connects to J1. Pin J1-1 is the +HV positive terminal, and pin J1-2 is the power supply negative terminal that connects to circuit ground. For good wiring practice, the HV wires should be twisted together for noise suppression, and the power supply should not be grounded. Doing this ensures that the higher currents flowing in these conductors will not flow through any circuit grounds where they might induce noise.

During deceleration, mechanical energy in the motor and load is converted back into electrical energy that must be dissipated as the motor comes to a stop. While some of this is converted to heat in the motor windings, the rest of it will flow through the drive into the power supply. An external storage capacitor should be used if the load has appreciable inertia, and this should be sized such that adding the undissipated energy from the motor will not raise the voltage beyond the point at which the drive shuts down.

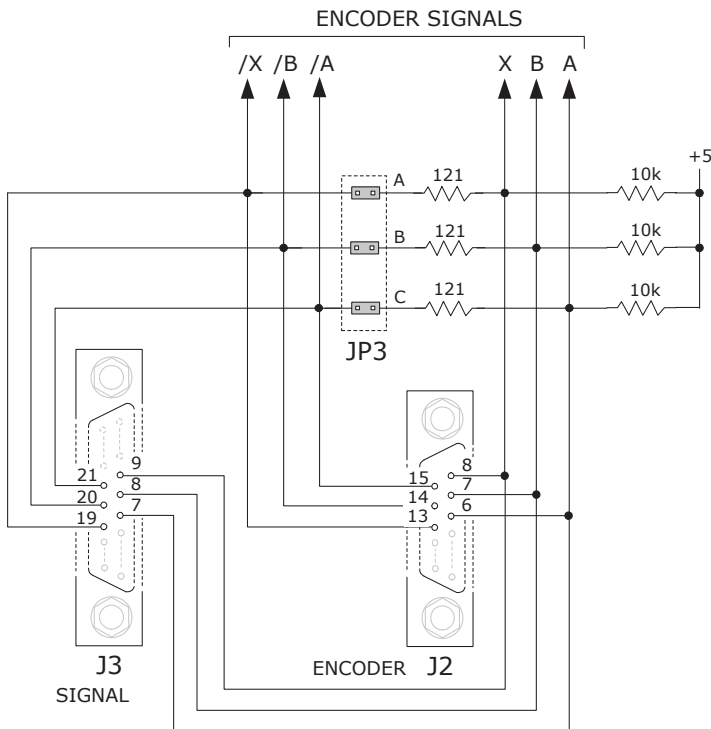
When this is not possible, an external 'dumper', or regenerative energy dissipater must be used which acts as a shunt regulator across the HV terminals.

Switching power supplies can also be used to power *Accelnet*. Unlike unregulated supplies, these cannot accept reverse energy flow, so an isolating diode must be placed between the power supply and J1-1 to block current flow back into the power supply. When this is done, an external storage capacitor must be used across J1-5 & J1-4 because the capacitor on the Development Kit board is only for ripple-current control, and can't store enough energy to handle regeneration.

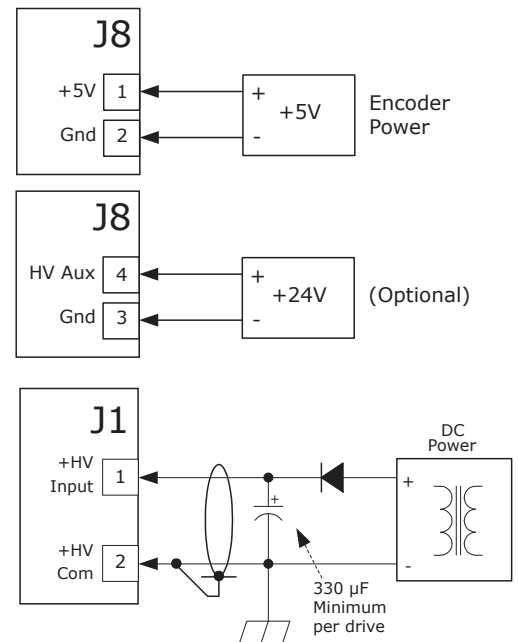
An earthing ground connection can be made via a second conductor to J1-4 that connects to the equipment frame ground.

If desired, an Aux HV supply can also be connected via J8-4 and J8-3. This supply must be greater than the drive minimum supply voltage of +20 Vdc. Commonly available +24 Vdc supplies work well for this. Using the Aux HV input enables the drive to have the HV supply turned off for equipment safety or EMO (Emergency Off) conditions. At this time, the Aux HV will keep the drive 'alive' and able to communicate and monitor position, but not to power the motor.

ENCODER CONNECTIONS



POWER SUPPLIES



These connections are the same for the MDK and RDK Development Kits

INCREMENTAL ENCODER CONNECTIONS

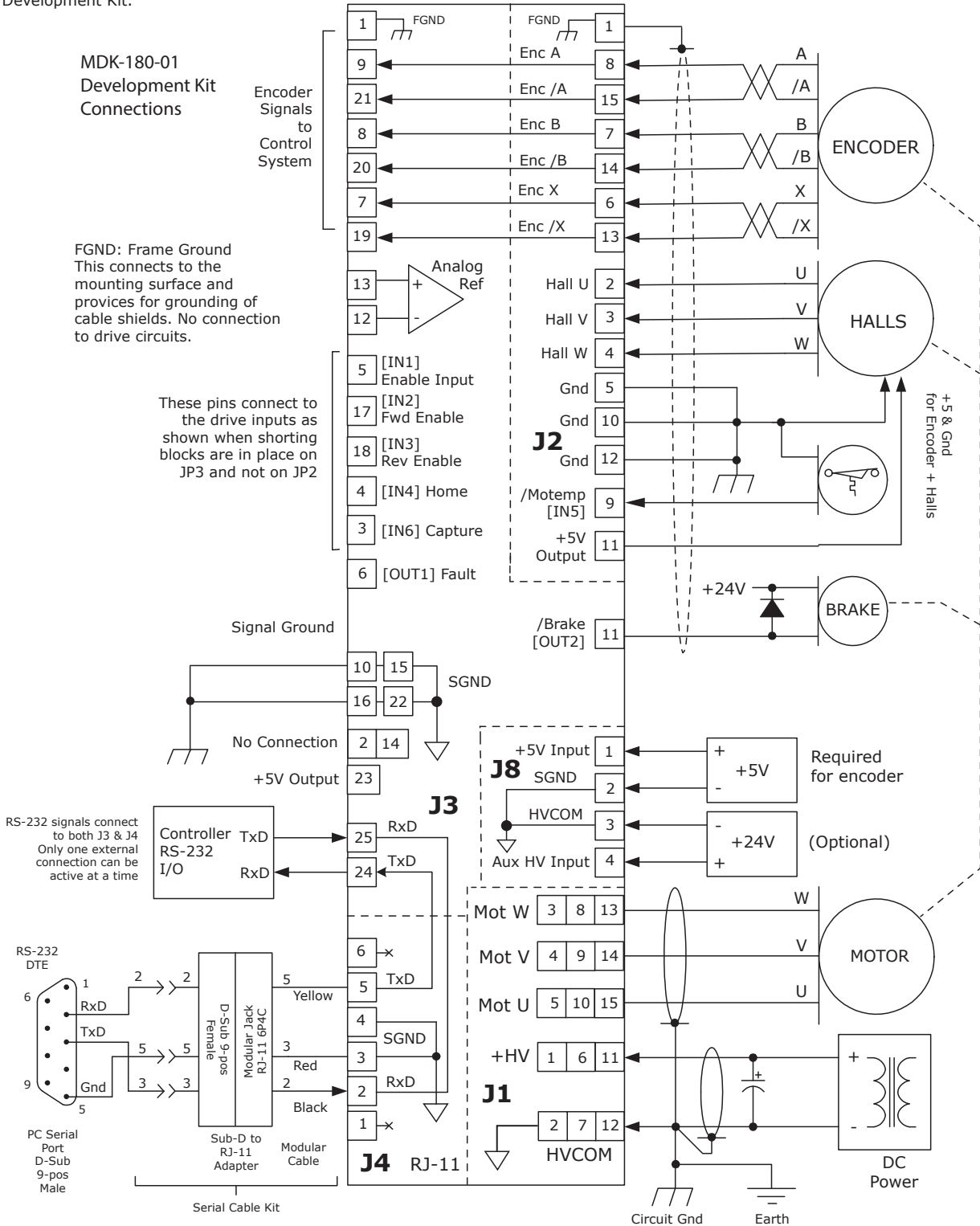
ACM-090-60 and ACM-090-60-R require RDK Development Kit. They are not compatible with the MDK Development Kit.

MDK-180-01

MDK-180-01 Development Kit Connections

FGND: Frame Ground
This connects to the mounting surface and provides for grounding of cable shields. No connection to drive circuits.

These pins connect to the drive inputs as shown when shorting blocks are in place on JP3 and not on JP2



CONNECTOR LAYOUT

FOR THE MDK-180-01 DEVELOPMENT KIT

Model *	Vdc	Ic	Ip
ACM-055-18	20 - 55	6	18
ACM-090-09	20 - 90	3	9
ACM-090-24	20 - 90	12	24
ACM-180-09	20 - 180	3	9
ACM-180-20	20 - 180	10	20

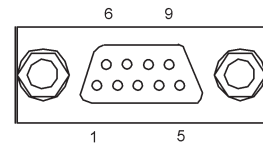
ACM-090-60 and ACM-090-60-R require RDK Development Kit. They are not compatible with the MDK Development Kit.

MDK-180-01

J6-J7 SIGNAL	PIN		J6-J7 SIGNAL
Pass J6-J7	1	6	CAN_GND
CAN_L	2	7	CAN_H
CAN_GND	3	8	Pass J6-J7
Pass J6-J7	4	9	Pass J6-J7
Pass J6-J7	5		

J6~J7 CABLE CONNECTORS

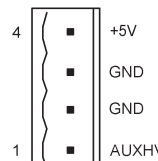
Dsub-9F
Norcomp: 171-009-203L001
Tyco: 5-747905-2



J8 CABLE CONNECTOR

Amphenol/PCD: ELFP04210
Tyco/Buchanan: 796635-4

J8 SIGNAL	PIN
+5V Input	1
Gnd	2
Gnd	3
Aux HV Input	4

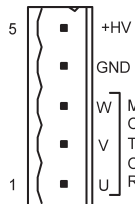


J8

J1 CABLE CONNECTOR

Amphenol/PCD: ELFP05210
Tyco/Buchanan: 796635-5

J8 SIGNAL	PIN
+HV Input	1
Gnd	2
Motor W Output	3
Motor V Output	4
Motor U Output	5

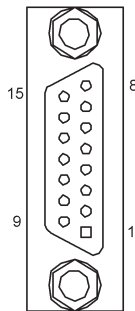


J1

J2 CABLE CONNECTOR

Dsub-15M
Norcomp: 171-015-103L001
Tyco: 5-747908-2

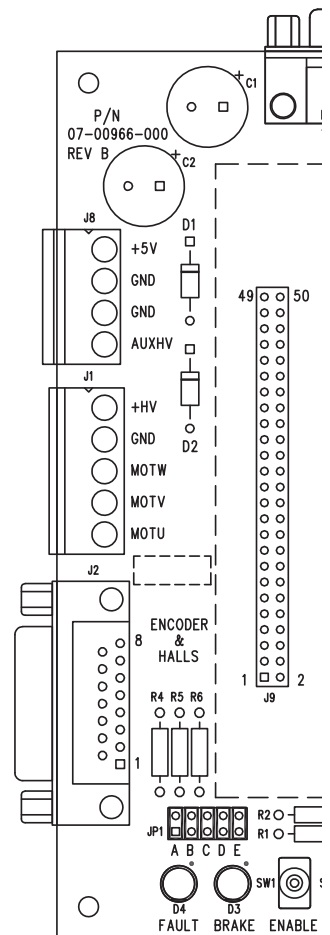
J2 SIGNAL	PIN
Encoder /A Input	15
Encoder /B Input	14
Encoder /X Input	13
Signal Ground	12
+5V Output	11
Signal Ground	10
[IN5] Motor Temp Sensor	9



PIN	J2 SIGNAL
8	Encoder A Input
7	Encoder B Input
6	Encoder X Input
5	Signal Ground
4	Hall W Input
3	Hall V Input
2	Hall U Input
1	Frame Ground

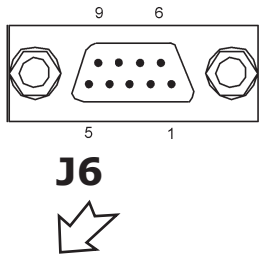
J2

J7



CANopen Notes:

1. Connector pinouts for J6 & J7 follow CAN standard DS-102.
2. Signals in () are wired-through from J7 to J6 and have no other connections on the pc board.
3. CAN_GND is connected to Gnd on pc board (Accelnet signal and power ground)



J6 CABLE CONNECTOR

Dsub-9M
Norcomp: 171-009-103L001
Tyco: 5-747904-2

J5 Fan Notes

The ACM case has tabs on the case that were designed to accept Pentium fans and heatsinks. If used, J5 brings the fan signals out for the user to power from +12 V. The PCB connector P1 is a Molex 22-01-3037 and uses crimp contacts 08-50-0114.

PIN	J5 SIGNAL
1	Gnd
2	+12V
3	Tach

J5 CABLE CONNECTOR

Amphenol/PCD: ELFP03210
Tyco/Buchanan: 796635-3

PIN	J4 SIGNAL
6	No Connection
5	TxD Output
4	Ground
3	Ground
2	RxD Input
1	No Connection

J4 CABLE CONNECTOR

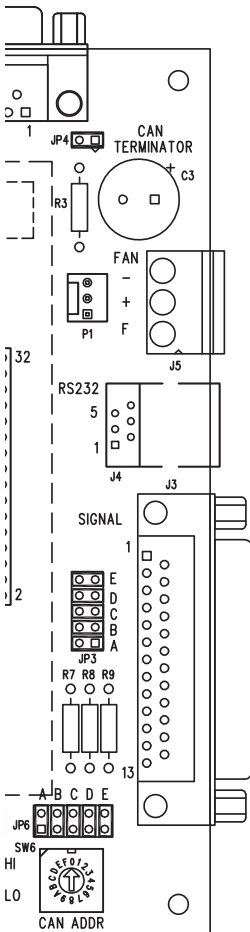
RJ11 6P4C jack

J3 CABLE CONNECTOR

Dsub-25M
Norcomp: 171-025-103L001
Tyco: 5-747912-2

J3 SIGNAL	PIN
Chassis Ground	1
n.c.	2
Capture [IN6]	3
Home [IN4]	4
Enable [IN1]	5
Fault Output [OUT1]	6
Encoder X Output	7
Encoder B Output	8
Encoder A Output	9
Signal Ground	10
Brake Output [OUT2]	11
±10V Ref(-)	12
±10V Ref(+)	13

PIN	J3 SIGNAL
14	n.c.
15	Signal Ground
16	Signal Ground
17	[IN2] Forward Enable Input
18	[IN3] Reverse Enable Input
19	Encoder /X Output
20	Encoder /B Output
21	Encoder /A Output
22	Signal Ground
23	+5V Output
24	RS-232 TxD Output
25	RS-232 RxD Input



INCREMENTAL ENCODER CONNECTIONS
FOR ACM-090-60

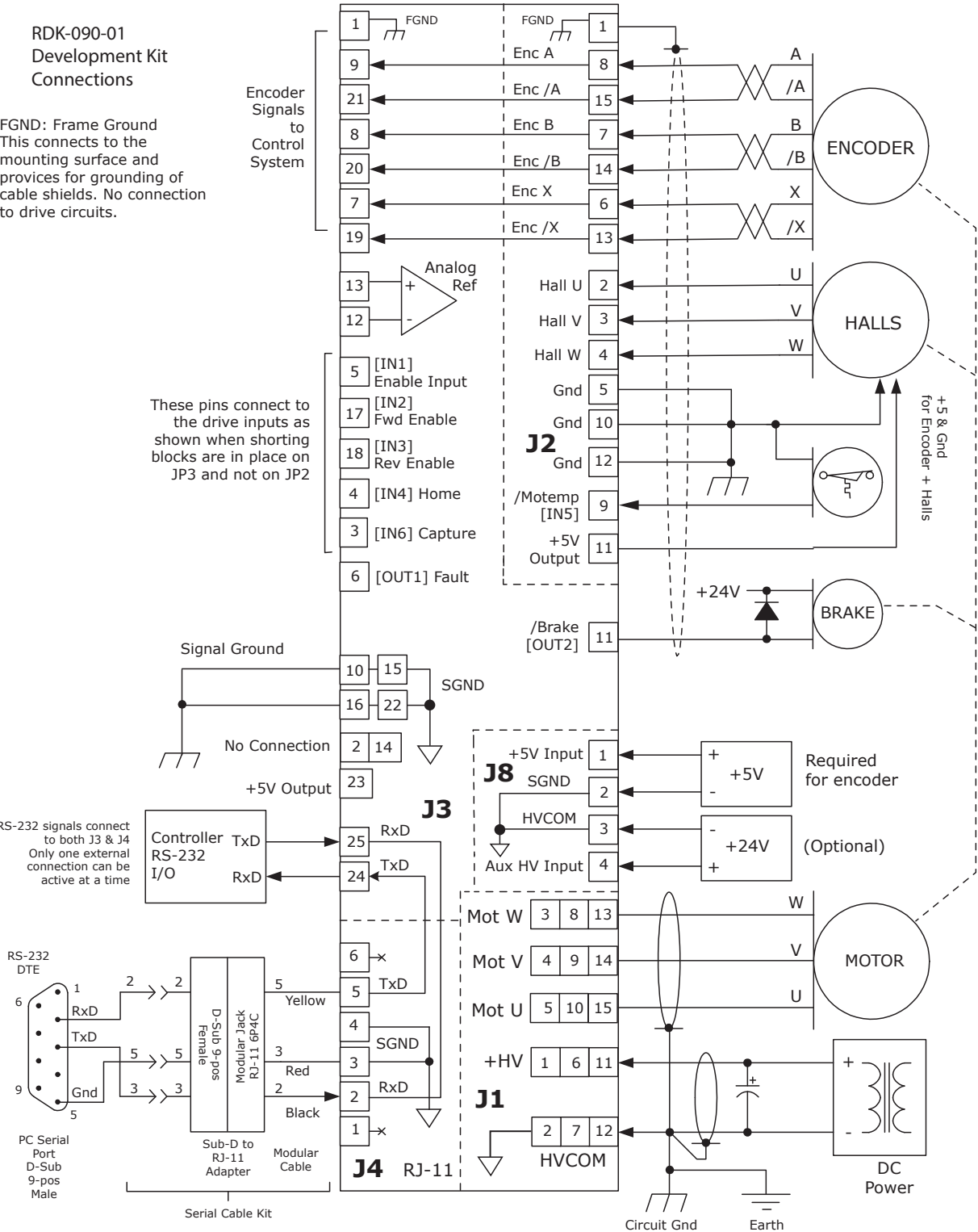
RDK-090-01

RDK-090-01
Development Kit
Connections

FGND: Frame Ground
This connects to the mounting surface and provides for grounding of cable shields. No connection to drive circuits.

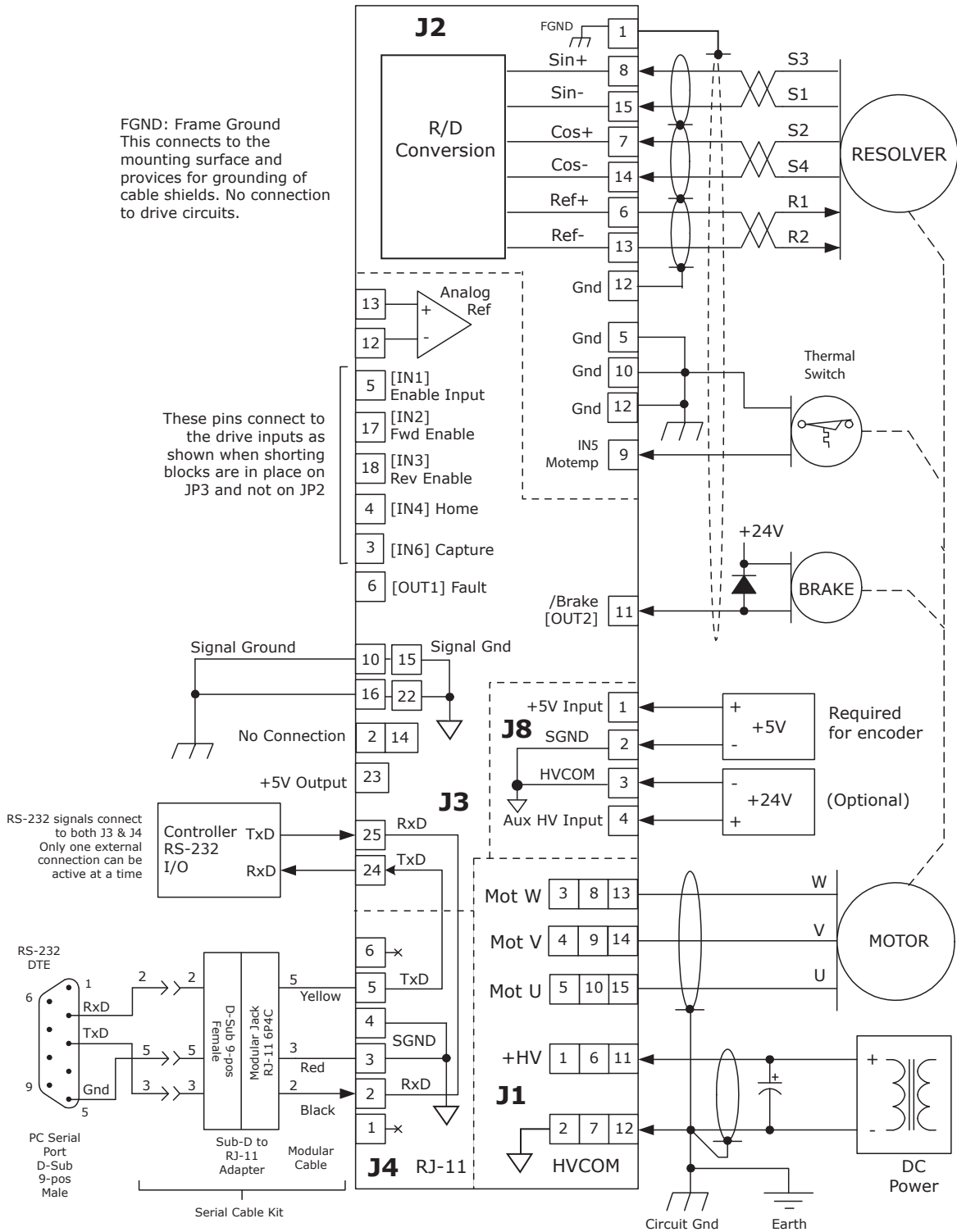
These pins connect to the drive inputs as shown when shorting blocks are in place on JP3 and not on JP2

RS-232 signals connect to both J3 & J4
Only one external connection can be active at a time



RESOLVER CONNECTIONS
FOR ACM-090-60-R

RDK-090-01



CONNECTOR LAYOUT

FOR THE RDK-090-01 DEVELOPMENT KIT

Model *	Vdc	Ic	Ip
ACM-090-60	20 - 90	30	60
ACM-090-60-R	20 - 90	30	60

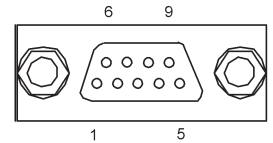
See page 22 for ACM-090-60-R connections to J2

RDK-090-01

J6-J7 SIGNAL	PIN		J6-J7 SIGNAL
Pass J6-J7	1	6	CAN_GND
CAN_L	2	7	CAN_H
CAN_GND	3	8	Pass J6-J7
Pass J6-J7	4	9	Pass J6-J7
Pass J6-J7	5		

J6~J7 CABLE CONNECTORS

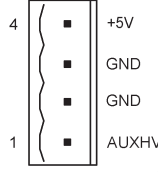
Dsub-9F
Norcomp: 171-009-203L001
Tyco: 5-747905-2



J8 CABLE CONNECTOR

Amphenol/PCD: ELFP04210
Tyco/Buchanan: 796635-4

J8 SIGNAL	PIN
+5V Input	1
Gnd	2
Gnd	3
Aux HV Input	4



J8

[Ref-] Encoder /X

J1 CABLE CONNECTOR

Phoenix Contact: 1778094

J SIGNAL	PIN
+HV Input	1
Gnd	2
Motor W Output	3
Motor V Output	4
Motor U Output	5

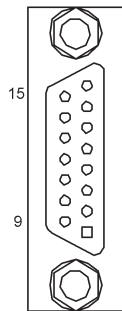


J1

J2 CABLE CONNECTOR

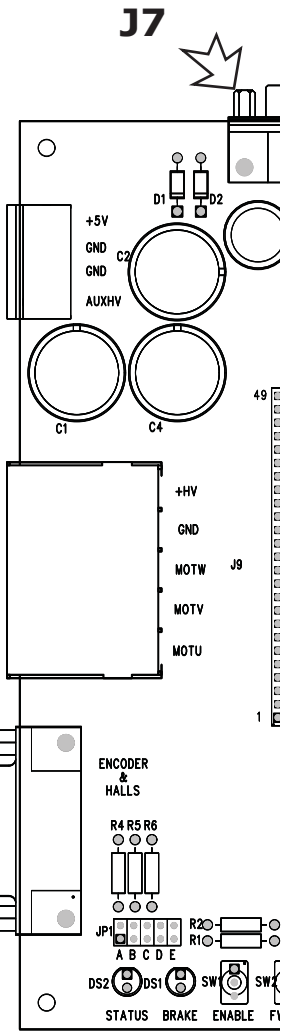
Dsub-15M
Norcomp: 171-015-103L001
Tyco: 5-747908-2

J2 SIGNAL	PIN
[Sin-] Encoder /A	15
[Cos-] Encoder /B	14
[Ref-] Encoder /X	13
Signal Ground	12
+5V Output	11
Signal Ground	10
[IN5] Motor Temp Sensor	9



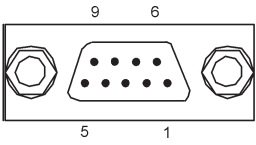
PIN	J2 SIGNAL
8	Encoder A [Sin+]
7	Encoder B [Cos+]
6	Encoder X [Ref+]
5	Signal Ground
4	Hall W Input
3	Hall V Input
2	Hall U Input
1	Chassis Ground

J2 signals in [...] are for resolver feedback.



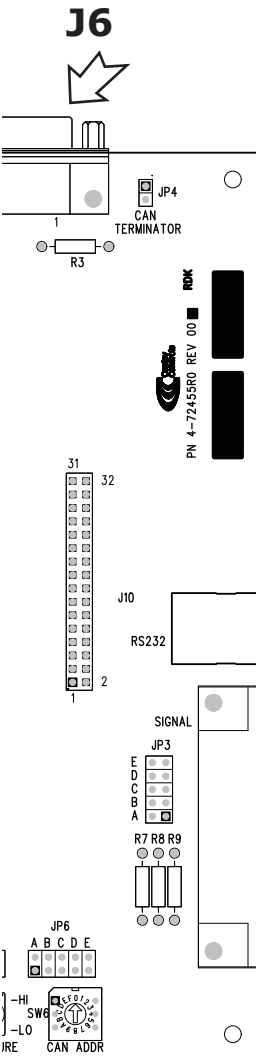
CANopen Notes:

1. Connector pinouts for J6 & J7 follow CAN standard DS-102.
2. Signals in () are wired-through from J7 to J6 and have no other connections on the pc board.
3. CAN_GND is connected to Gnd on pc board (Signal and power ground)



J6 CABLE CONNECTOR

Dsub-9M
Norcomp: 171-009-103L001
Tyco: 5-747904-2



J4 CABLE CONNECTOR

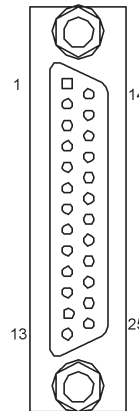
RJ11 6P4C jack

PIN	J4 SIGNAL
6	No Connection
5	TxD Output
4	Ground
3	Ground
2	RxD Input
1	No Connection

J3 CABLE CONNECTOR

Dsub-25M
Norcomp: 171-025-103L001
Tyco: 5-747912-2

J3 SIGNAL	PIN
Chassis Ground	1
n.c.	2
Capture [IN6]	3
Home [IN4]	4
Enable Input [IN1]	5
Fault Output [OUT1]	6
Encoder X Output	7
Encoder B Output	8
Encoder A Output	9
Signal Ground	10
Brake Output [OUT2]	11
±10V Ref(-)	12
±10V Ref(+)	13



PIN	J3 SIGNAL
14	n.c.
15	Signal Ground
16	Signal Ground
17	[IN2] Forward Enable Input
18	[IN3] Reverse Enable Input
19	Encoder /X Output
20	Encoder /B Output
21	Encoder /A Output
22	Signal Ground
23	+5V Output
24	RS-232 TxD Output
25	RS-232 RxD Input

DEVELOPMENT BOARD CONNECTOR KITS

MDK-CK

	QTY	Ref	DESCRIPTION	Manufacturer Part Numbers
Connector Kit for Development Kit MDK-CK	1	J5	3 Pin Terminal Block Plug	Amphenol: ELFP03210, TE: 796635-3
	1	J8	4 Pin Terminal Block Plug	Amphenol: ELFP04210, TE: 796635-4
	1	J1	5 Pin Terminal Block Plug	Amphenol: ELFP05210, TE: 796635-5
	1	J3	25 Pin Connector, D-Sub, Male, Solder Cup	Norcomp: 171-025-103L001
	1		25 Pin Connector Backshell	Norcomp: 979-025-020R121
	1	J2	15 Pin Connector, D-Sub, Male, Solder Cup	Norcomp: 171-015-103L001
	1		15 Pin Connector Backshell	Norcomp: 979-015-020R121
	1	J7	9 Pin Connector, D-Sub, Male, Solder Cup	Norcomp: 171-009-103L001
	1	J6	9 Pin Receptacle, D-Sub, Female, Solder Cup	Norcomp: 171-009-203L001
	2	J6,J7	9 Pin Connector Backshell	Norcomp: 979-009-020R121

RDK-CK

	QTY	Ref	DESCRIPTION	Manufacturer Part Numbers
Connector Kit for Development Kit RDK-CK	1	J8	4 Pin Terminal Block Plug	Amphenol: ELFP04210, TE: 796635-4
	1	J1	5 Pin Terminal Block Plug	Phoenix Contact: 1778094
	1	J3	25 Pin Connector, D-Sub, Male, Solder Cup	Norcomp: 171-025-103L001
	1		25 Pin Connector Backshell	Norcomp: 979-025-020R121
	1	J2	15 Pin Connector, D-Sub, Male, Solder Cup	AMP: 5-747908-2
	1		15 Pin Connector Backshell	Norcomp: 979-015-020R121
	1	J7	9 Pin Connector, D-Sub, Male, Solder Cup	Norcomp: 171-009-103L001
	1	J6	9 Pin Receptacle, D-Sub, Female, Solder Cup	Norcomp: 171-009-203L001
	2	J6,J7	9 Pin Connector Backshell	Norcomp: 979-009-020R121

ORDERING GUIDE

PART NUMBER	DESCRIPTION
ACM-055-18	Accelnet servo drive 6/18 Adc @ 55 Vdc
ACM-090-09	Accelnet servo drive 3/9 Adc @ 90 Vdc
ACM-090-24	Accelnet servo drive 12/24 Adc @ 90 Vdc
ACM-090-60	Accelnet servo drive 30/60 Adc @ 90 Vdc
ACM-090-60-R	Accelnet servo drive 30/60 Adc @ 90 Vdc with resolver feedback
ACM-180-09	Accelnet servo drive 3/9 Adc @ 180 Vdc
ACM-180-20	Accelnet servo drive 10/20 Adc @ 180 Vdc
MDK-180-01*	Development Kit for -09, -18, -20, -24 models
RDK-090-01	Development Kit for -60 models
MDK-CK	Development Kit Connector Kit for MDK-180-01
RDK-CK	Development Kit Connector Kit for RDK-090-01
ACM-HL	Accelnet Heatsink Kit, Low profile
ACM-HS	Accelnet Heatsink Kit, Standard
SER-CK	Serial Cable Kit for Development Kit
SER-USB-RJ11	Serial Cable for Development Kit

NOTES

Heatsink kits are ordered separately and installed by the customer, not at the factory.

* The MDK-180-01 Development Kit is not RoHS and is not compatible with the ACM-090-60 and ACM-090-60-R

ORDERING INSTRUCTIONS

Example: Order 1 ACM-180-20 drive with Low-profile Heatsink, Development Kit, Connector Kit and Serial Cable for Development Kit

Qty	Item	Remarks
1	ACM-180-20	Accelnet servo drive
1	ACM-HL	Low-profile Heatsink
1	MDK-180-01	Accelnet Development Kit
1	MDK-CK	Connector Kit for Development Kit
1	SER-USB-RJ11	Serial Cable for Development Kit
1	CAN-USB-01	CAN interface for Development Kit with USB cable for computer

Example: Order 1 ACM-090-60 drive with Standard Heatsink, Development Kit, Connector Kit, Serial cable and CAN interface

Qty	Item	Remarks
1	ACM-090-60	Accelnet servo drive
1	ACM-HS	Standard Heatsink
1	RDK-090-01	Accelnet Development Kit
1	RDK-CK	Connector Kit for Development Kit
1	SER-USB-RJ11	Serial Cable for Development Kit
1	CAN-USB-01	CAN interface for Development Kit with USB cable for computer



SER-USB-RJ11



CAN-USB-01

16-01683 Document Revision History

Revision	Date	Remarks
00	February 5, 2019	Initial Release
01	January 11, 2021	Deleted ACM-180-18 model, addition of SER-USB-RJ11 Updates to graphics and pin numbering tables Added CE and UR logos to conformance section

Note: Specifications are subject to change without notice