

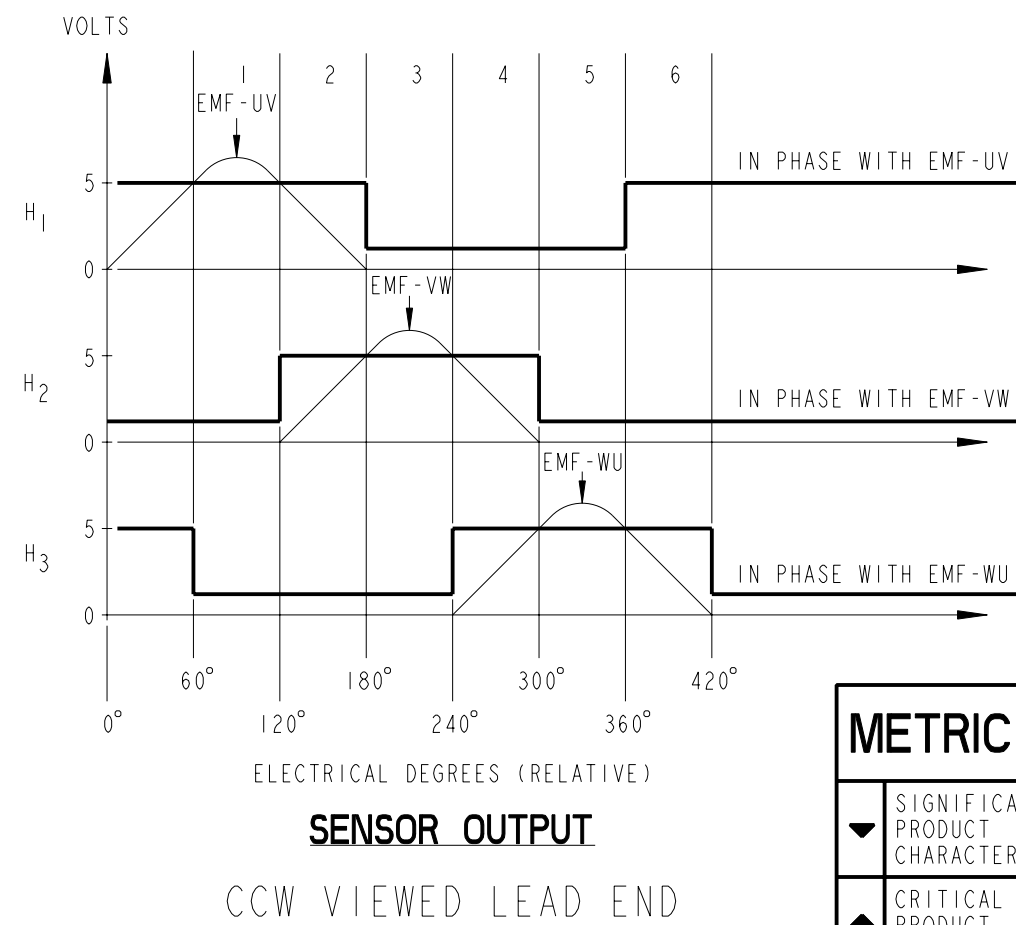
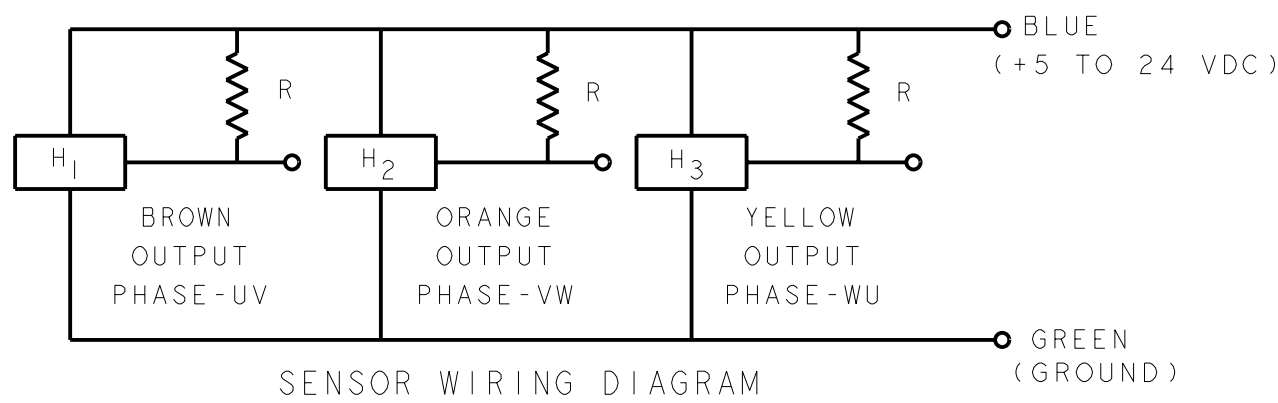
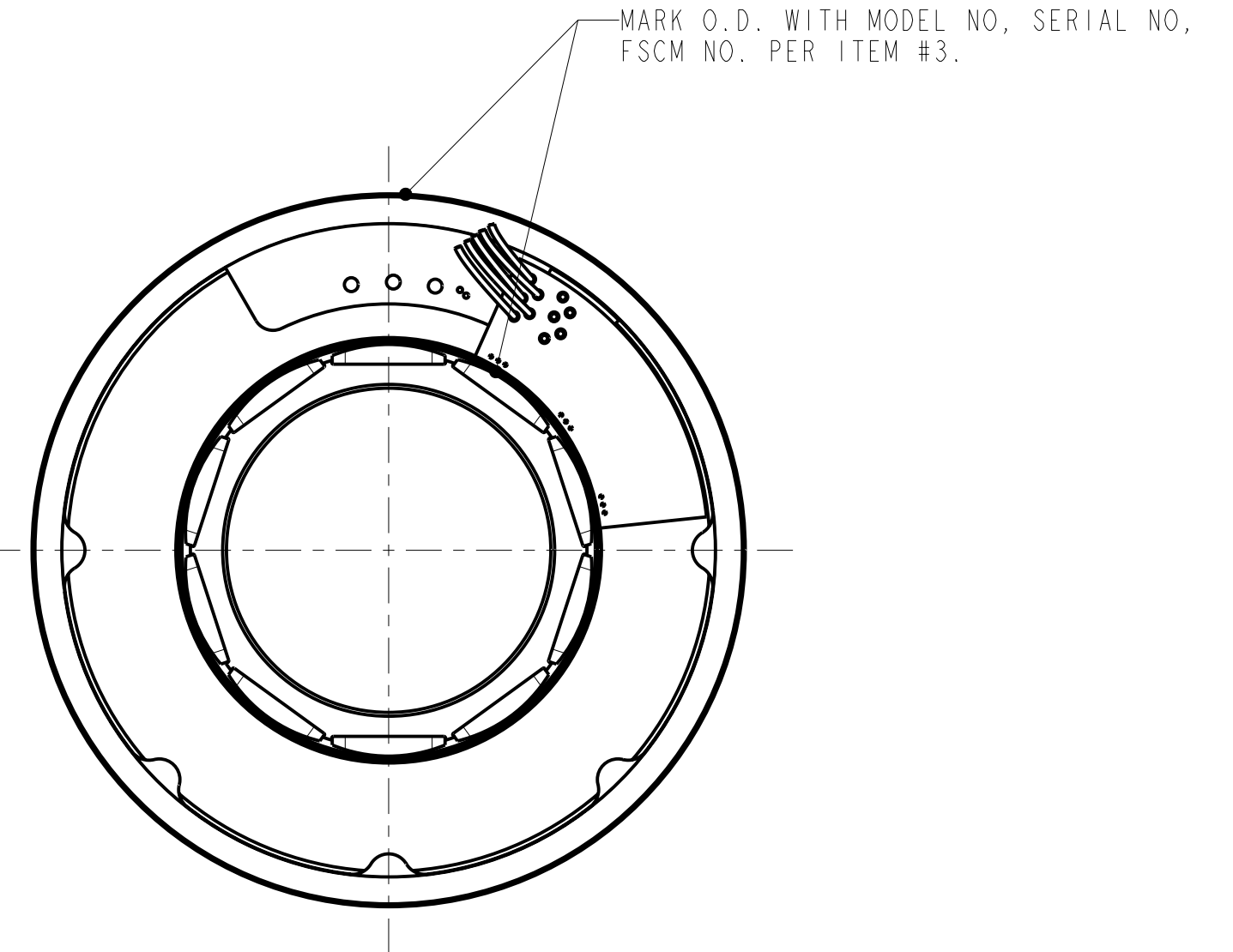
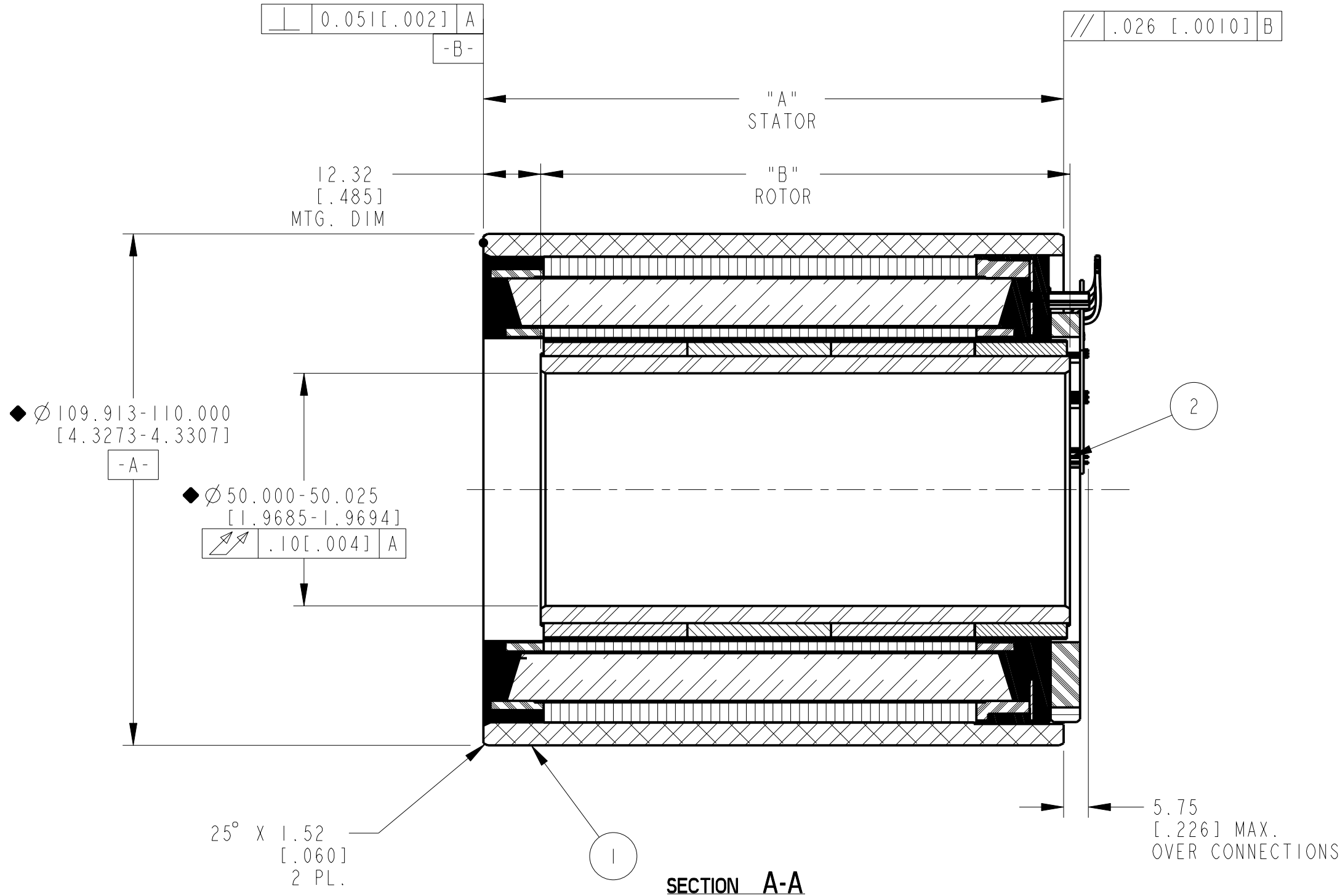
- NOTES:
- 1- MOTOR SUPPLIED AS TWO SEPERATE COMPONENTS, STATOR & SENSOR ASSEMBLY AND FIELD ASSEMBLY.
 - 2- FOR A C.C.W. ROTATION, AS VIEWED FROM LEAD END, ENERGIZE PER EXCITATION SEQUENCE TABLE.
 - 3- R= 1.5K OHMS APPROX. (CUSTOMER SUPPLIED)
 - 4- EMF-UV, EMF-VW AND EMF-WU IS BACK EMF OF MOTOR PHASES UV, VW, AND WU RESPECTIVELY, ALIGNED WITH SENSOR OUTPUT AS SHOWN FOR C.C.W. ROTATION ONLY.
 - 5- SENSORS SET FOR BI-DIRECTIONAL ROTATION
 - 6- RoHS (DIRECTIVE 2002/95/EC AND AMMENDMENTS) COMPLIANCE REQUIRED.

SENSOR LEADS:
 #26 AWG TEFLON COATED PER MIL-W-22759/11, 400.00 [15.75"] MIN. LG. EACH 1-BLUE, 1-ORANGE, 1-BROWN, 1-GREEN, 1-YELLOW

MOTOR LEADS:
 #14 AWG TEFLON COATED PER UL 10086, 400.00 [15.75"] MIN. LG. EACH 1-BLUE, 1-BROWN, 1-VIOLET

THERMISTOR LEADS:
 #26 AWG TEFLON COATED UL RATED 600V, 150°C MIN, 400.00 [15.75"] MIN. LG. EACH 1-BLUE, 1-BLACK

REVISION				
REV	ECN NO.	DESCRIPTION	DATE	APPROVED



MODEL NUMBER	STATOR SEE BOM	FIELD ASSEMBLY	"A" DIM	"B" DIM
KBMS-25X01	945874/01X	945868/01	62.70 [2.469]	51.97 [2.046]
KBMS-25X02	945874/02X	945868/02	93.70 [3.689]	82.86 [3.262]
KBMS-25X03	945874/03X	945868/03	124.70 [4.909]	113.74 [4.478]
KBMS-25X04	945874/04X	945868/04	155.70 [6.130]	144.63 [5.694]

THIS DOCUMENT IS ONLY FOR USE BY THE INTENDED RECIPIENT AND CONTAINS KOLLMORGEN CONFIDENTIAL INFORMATION

Pro/E Instance Name: KBMS_25XXX_945875
 Pro/E Drawing Name: 945875
 Pro/E Model Type: ASSEM
 Pro/Engineer Drawing

STEP	PHASE "U" BLUE	PHASE "V" BROWN	PHASE "W" VIOLET
1	(+)	(-)	
2	(+)		(-)
3		(+)	(-)
4	(-)	(+)	
5	(-)		(+)
6		(-)	(+)

EXCITATION SEQUENCE TABLE

METRIC DRAWING

SIGNIFICANT PRODUCT CHARACTERISTIC
 CRITICAL PRODUCT CHARACTERISTIC

ITEM	QTY	IDENTIFYING NO.	DESCRIPTION
3	AR	IM-2709	MARKING PROCEDURE
2	I	SEE TABLE 1	FIELD ASSEMBLY
1	I	SEE BOM	STATOR & SENSOR ASSEMBLY

LIST OF PARTS			
KOLLMORGEN		INLAND MOTOR	
501 FIRST STREET		RADFORD, VIRGINIA 24141	
OUTLINE AND ASSEMBLY			
KBMS-25XXX-X00			
DO NOT SCALE DRAWING. USE DIMENSIONS ONLY. ALL DIMENSIONS ARE IN MILLIMETERS. DIMENSIONS IN BRACKETS () ARE IN INCHES AND ARE FOR REFERENCE ONLY.	UNLESS OTHERWISE SPECIFIED: REMOVE ALL SHARP BURRS AND BREAK ALL SHARP EDGES. X DECIMAL PLACES ±.4 [.015] XX DECIMAL PLACES ±.13 [.005] ANGULAR DIMENSIONS ±1°	FSCM 11384	SIZE C
INTERPRET GEOMETRIC SYMBOLS PER ANSI Y14.5M-1982	DATE: 09-Apr-09 DATE: 17-Sep-09 DATE: 17-Sep-09	DWG. NO. 945875	REV -
SCALE: 1:1	JOB NO.:	SHEET 1 OF 1	