

- NOTES:
- FOR A C.C.W. ROTATION, AS VIEWED FROM LEAD END, ENERGIZE PER EXCITATION SEQUENCE BELOW.
 - MOTOR SUPPLIED AS TWO SEPARATE COMPONENTS, ARMATURE & SENSOR ASSEMBLY AND FIELD ASSEMBLY.
 - R = 1.5 KOHMS APPROXIMATELY (CUSTOMER SUPPLIED).
 - EMF-UV, EMF-VW AND EMF-WU IS BACK EMF OF MOTOR PHASES UV, VW, AND WU ALIGNED WITH SENSOR OUTPUT SHOWN FOR CCW ROTATION ONLY.
 - MINIMUM MOUNTING SURFACE FROM 154.68MM [6.090"] TO 159.76MM [6.290"] BOTH SIDES.
 - DIMENSIONS IN BRACKETS [] ARE ENGLISH UNITS FOR REFERENCE ONLY.
 - NO ANGULAR RELATIONSHIP BETWEEN MOUNTING HOLES ON EITHER SIDE OF ROTOR.
 - RoHS (DIRECTIVE 2002/95/EC AND AMMENDMENTS) COMPLIANCE REQUIRED.

- MOTOR LEADS:
 #16 AWG, TEFLON INSULATED, U.L.1199
 3 LEADS, 400mm [15.75"] MIN.
 1-BLUE 1-BROWN 1-VIOLET
- THERMISTOR LEADS:
 #26 AWG, TEFLON INSULATED
 2 LEADS, 400mm [15.75"] MIN.
 1-BLUE 1-RED
- SENSOR LEADS:
 #26 AWG TEFLON COATED PER MIL-W-22759/11
 5 LEADS, 400mm [15.75"] MIN.
 1-BLUE 1- GREEN 1- BROWN 1-ORANGE 1-YELLOW

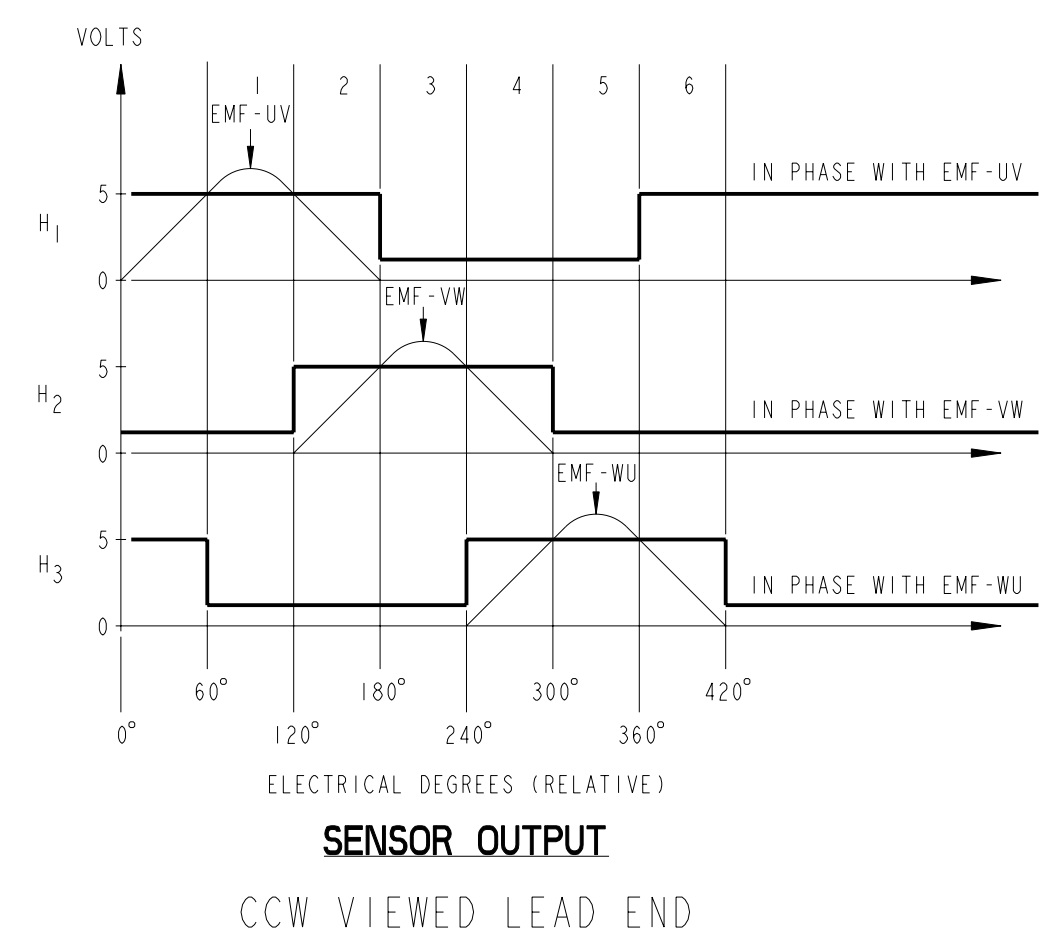
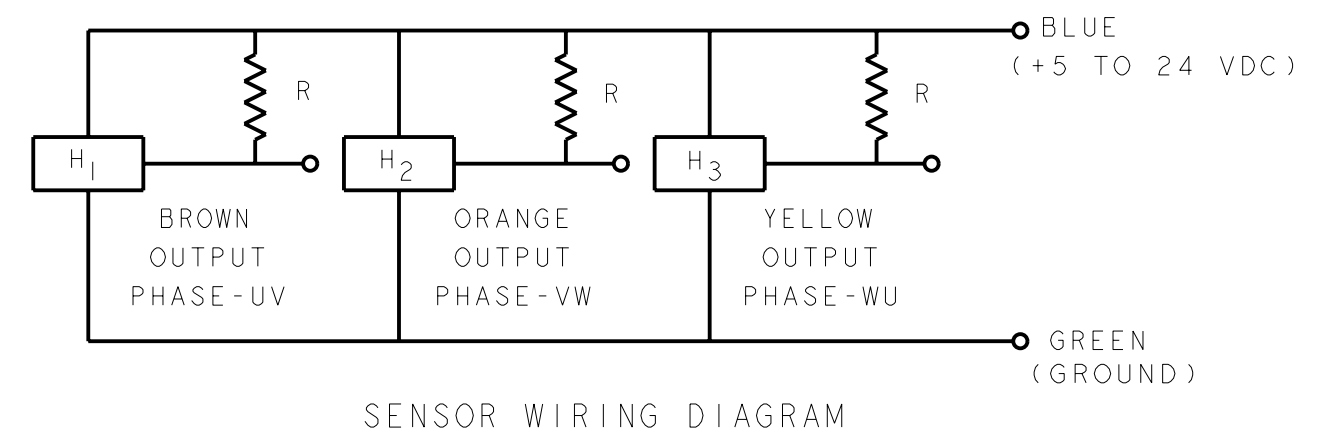
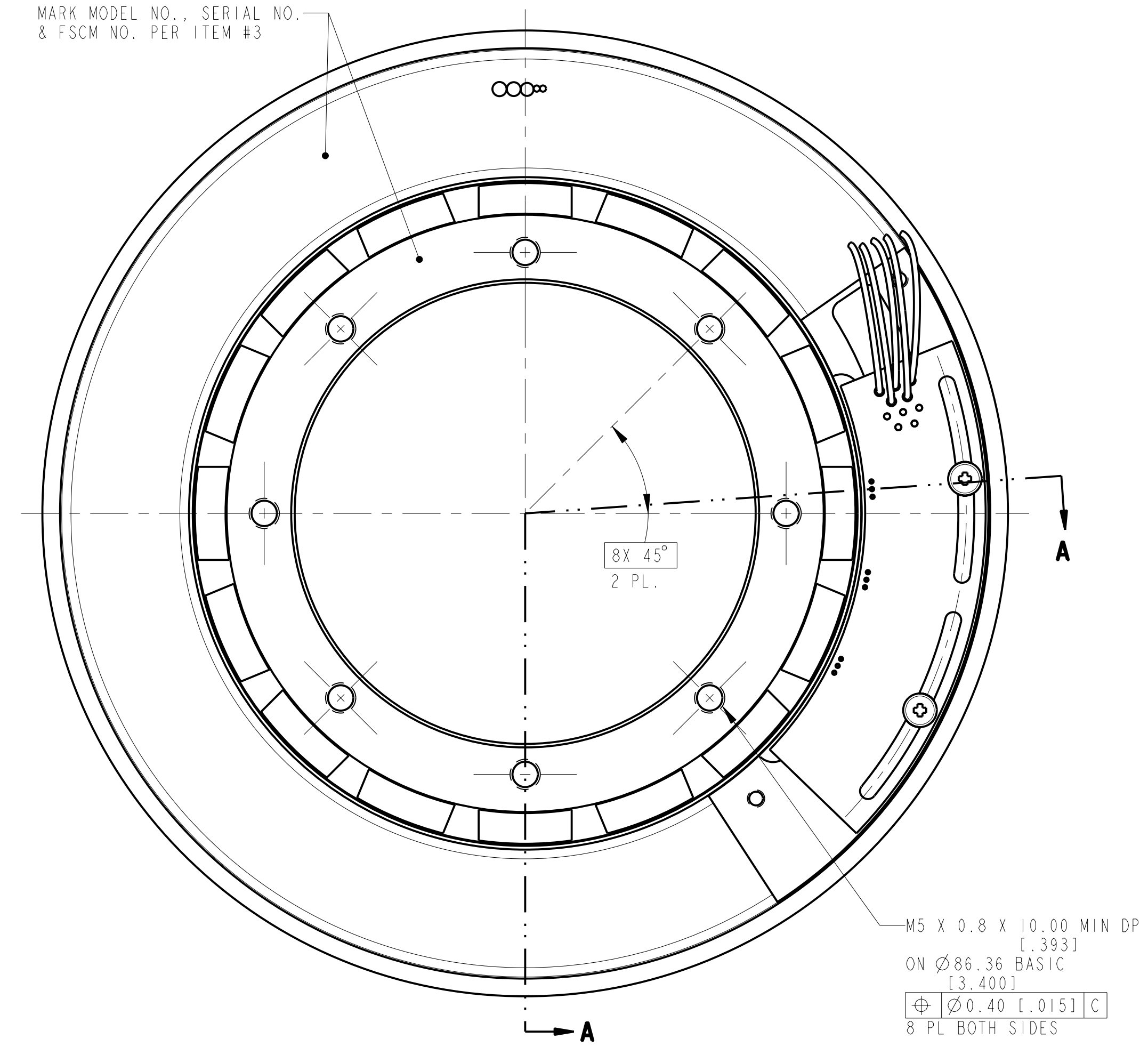
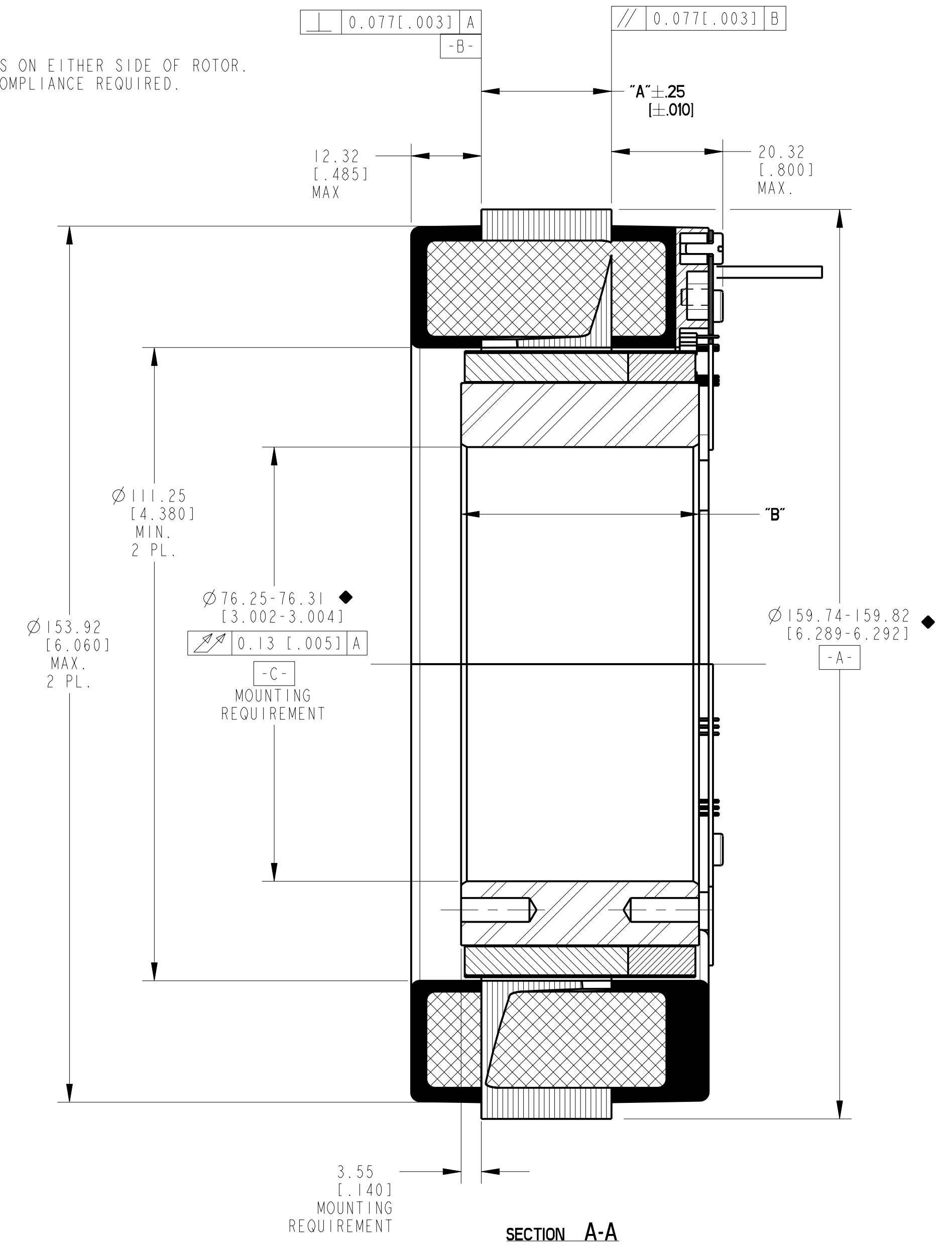


TABLE 1

MODEL NUMBER	ARMATURE ASSY H.V. INSULATION	ARMATURE ASSY STD. INSULATION	FIELD ASSEMBLY	DIM "A"	DIM "B"
KBMS-43X01	946395/01X	946396/01X	946397/01	11.43 [0.450]	30.35 [1.195]
KBMS-43X02	946395/02X	946396/02X	946397/02	22.86 [0.900]	41.78 [1.645]
KBMS-43X03	946395/03X	946396/03X	946397/03	45.72 [1.800]	64.64 [2.545]

POWER CONNECTION

STEP	PHASE "U" BLUE	PHASE "V" BROWN	PHASE "W" VIOLET
1	(+)	(-)	(-)
2	(+)	(-)	(-)
3	(-)	(+)	(-)
4	(-)	(+)	(-)
5	(-)	(-)	(+)
6	(-)	(-)	(+)

EXCITATION SEQUENCE TABLE

THIS DOCUMENT IS ONLY FOR USE BY THE INTENDED RECIPIENT AND CONTAINS KOLLMORGEN CONFIDENTIAL INFORMATION

Pro/E Instance Name: KBMS-43X01-946394
 Pro/E Drawing Name: 946394
 Pro/E Model Type: ASSEM
 Pro/Engineer Drawing

METRIC DRAWING

UNLESS OTHERWISE SPECIFIED: REMOVE ALL SHARP BURRS AND BREAK ALL SHARP EDGES X DECIMAL PLACES ±.4 [0.015] XX DECIMAL PLACES ±.13 [0.005] ANGULAR DIMENSIONS ±1'

DO NOT SCALE DRAWING; USE DIMENSIONS ONLY

ALL DIMENSIONS ARE IN MILLIMETERS UNLESS OTHERWISE SPECIFIED

DIMENSIONS IN BRACKETS [] ARE IN INCHES AND ARE FOR REFERENCE ONLY

INTERPRET GEOMETRIC SYMBOLS PER ANSI Y14.5M-1982

DATE: 04-JUL-09
 DATE: 16-SEP-09
 DATE: 16-SEP-09

SCALE: 1:000

3	AR	IM-2709	MARKING PROCEDURE
2	I	SEE TABLE	ARMATURE AND SENSOR ASSEMBLY
1	I	SEE TABLE	FIELD ASSEMBLY

ITEM QTY IDENTIFYING NO. DESCRIPTION

LIST OF PARTS

KOLLMORGEN
 Inland Motor
 INLAND MOTOR
 501 FIRST STREET
 RADFORD, VIRGINIA 24141

OUTLINE
 KBMS-43XXX-X00

FSCM 11384
 SIZE D
 DWG. NO. 946394
 REV --

SCALE: 1:000
 JOB NO.:
 SHEET 1 OF 1