

NOTES:

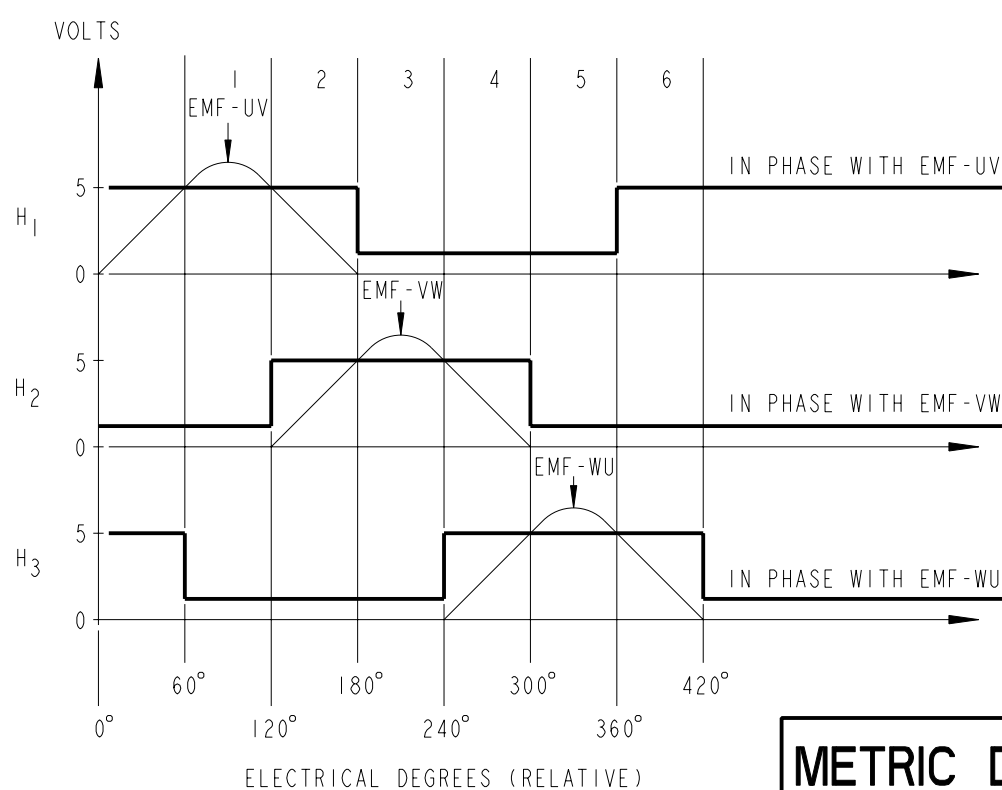
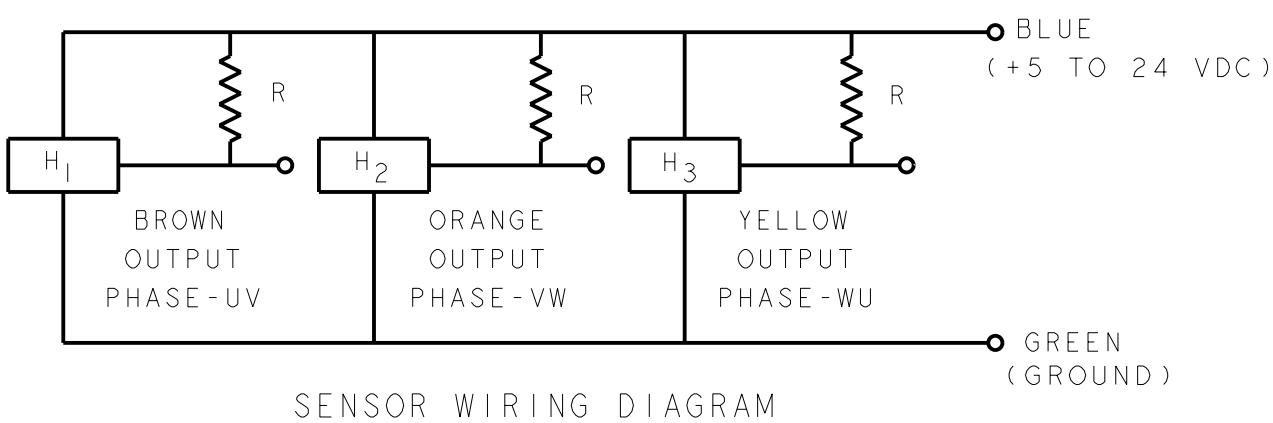
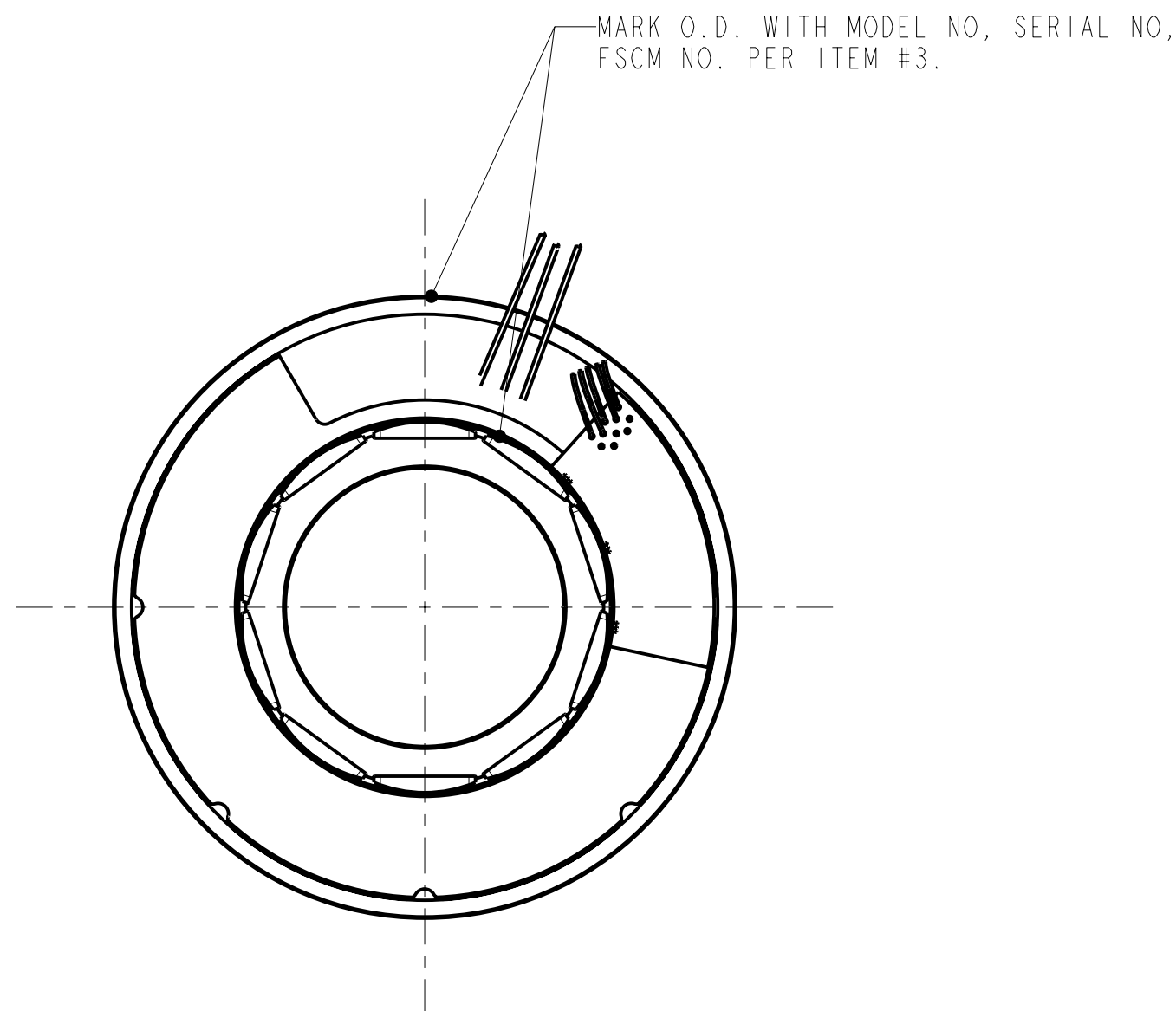
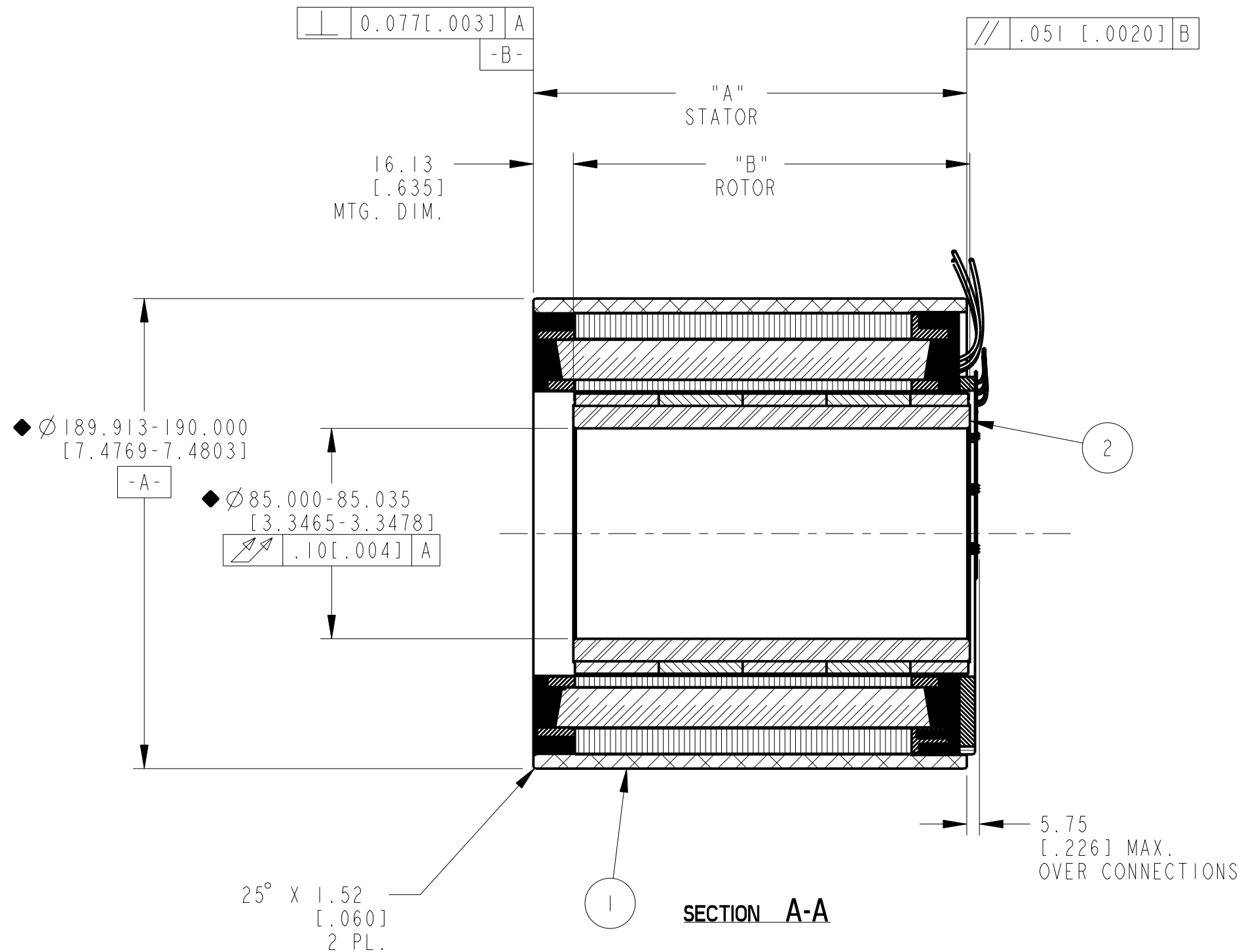
- 1- MOTOR SUPPLIED AS TWO SEPERATE COMPONENTS, STATOR & SENSOR ASSEMBLY AND FIELD ASSEMBLY.
- 2- FOR A C.C.W. ROTATION, AS VIEWED FROM LEAD END, ENERGIZE PER EXCITATION SEQUENCE TABLE.
- 3- R= 1.5K OHMS APPROX. (CUSTOMER SUPPLIED)
- 4- EMF-UV, EMF-VW AND EMF-WU IS BACK EMF OF MOTOR PHASES UV, VW, AND WU RESPECTIVELY, ALIGNED WITH SENSOR OUTPUT AS SHOWN FOR C.C.W. ROTATION ONLY.
- 5- SENSORS SET FOR BI-DIRECTIONAL ROTATION.
- 6- RoHS (DIRECTIVE 2002/95/EC AND AMMENDMENTS) COMPLIANCE REQUIRED.

SENSOR LEADS:
 #26 AWG TEFLON COATED PER MIL-W-22759/11, 400.00 [15.75"] MIN. LG. EACH 1-BLUE, 1-ORANGE, 1-BROWN, 1-GREEN, 1-YELLOW

MOTOR LEADS:
 #14 AWG TEFLON COATED PER UL 10086, 400.00 [15.75"] MIN. LG. EACH 1-BLUE, 1-BROWN, 1-VIOLET

THERMISTOR LEADS:
 #26 AWG TEFLON COATED UL RATED 600V, 150°C MIN, 400.00 [15.75"] MIN. LG. EACH 1-BLUE, 1-BLACK

REVISION				
REV	ECN NO.	DESCRIPTION	DATE	APPROVED



STEP	POWER CONNECTION		
	PHASE "U" BLUE	PHASE "V" BROWN	PHASE "W" VIOLET
1	+	-	
2	+		-
3		+	-
4	-	+	
5	-		+
6		-	+

EXCITATION SEQUENCE TABLE

MODEL NUMBER	STATOR SEE BOM	FIELD ASSEMBLY	"A" DIM	"B" DIM
KBMS-45X01	945906/01X	945901/01	107.06 [4.215]	92.41 [3.638]
KBMS-45X02	945906/02X	945901/02	141.06 [5.554]	126.29 [4.972]
KBMS-45X03	945906/03X	945901/03	175.05 [6.892]	160.17 [6.306]

ITEM	QTY	IDENTIFYING NO.	DESCRIPTION
3	AR	IM-2709	MARKING PROCEDURE
2	I	SEE TABLE 1	FIELD ASSEMBLY
1	I	SEE BOM	STATOR & SENSOR ASSEMBLY

LIST OF PARTS			
UNLESS OTHERWISE SPECIFIED: REMOVE ALL SHARP BURRS AND BREAK ALL SHARP EDGES X DECIMAL PLACES ±.4 [.015] XX DECIMAL PLACES ±.13 [.005] ANGULAR DIMENSIONS ±1°		KOLLMORGEN Inland Motor	
DO NOT SCALE DRAWING. USE DIMENSIONS ONLY. ALL DIMENSIONS ARE IN MILLIMETERS. DIMENSIONS IN BRACKETS [] ARE IN INCHES AND ARE FOR REFERENCE ONLY.		INLAND MOTOR 501 FIRST STREET RADFORD, VIRGINIA 24141	
INTERPRET GEOMETRIC SYMBOLS PER ANSI Y14.5M-1982		OUTLINE AND ASSEMBLY KBMS-45XXX-X00	
DRWN BY: L&T	DATE: 20-Apr-09	FSCM	SIZE DWG. NO.
CHECKED BY: LW	DATE: 17-Sep-09	11384	C 945907
APPROVED BY: AG	DATE: 17-Sep-09	SCALE: 1:2	JOB NO.: SHEET 1 OF 1

THIS DOCUMENT IS ONLY FOR USE BY THE INTENDED RECIPIENT AND CONTAINS KOLLMORGEN CONFIDENTIAL INFORMATION

Pro/E Instance Name	KBMS_45XXX_945907
Pro/E Drawing Name	945907
Pro/E Model Type	ASSEM
Pro/Engineer Drawing	

945907