

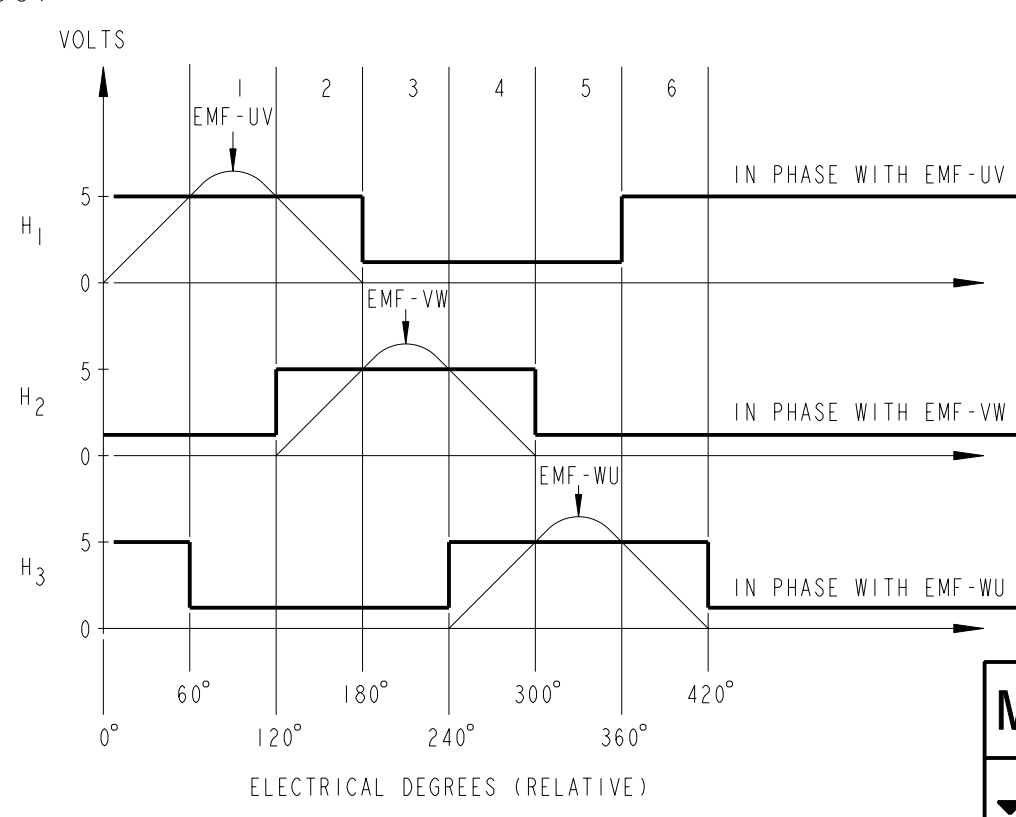
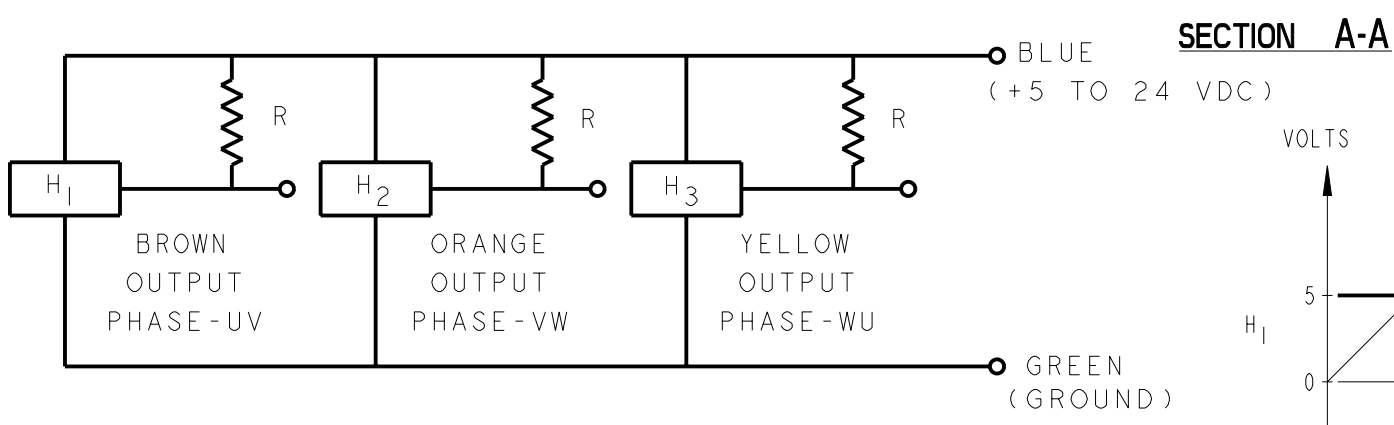
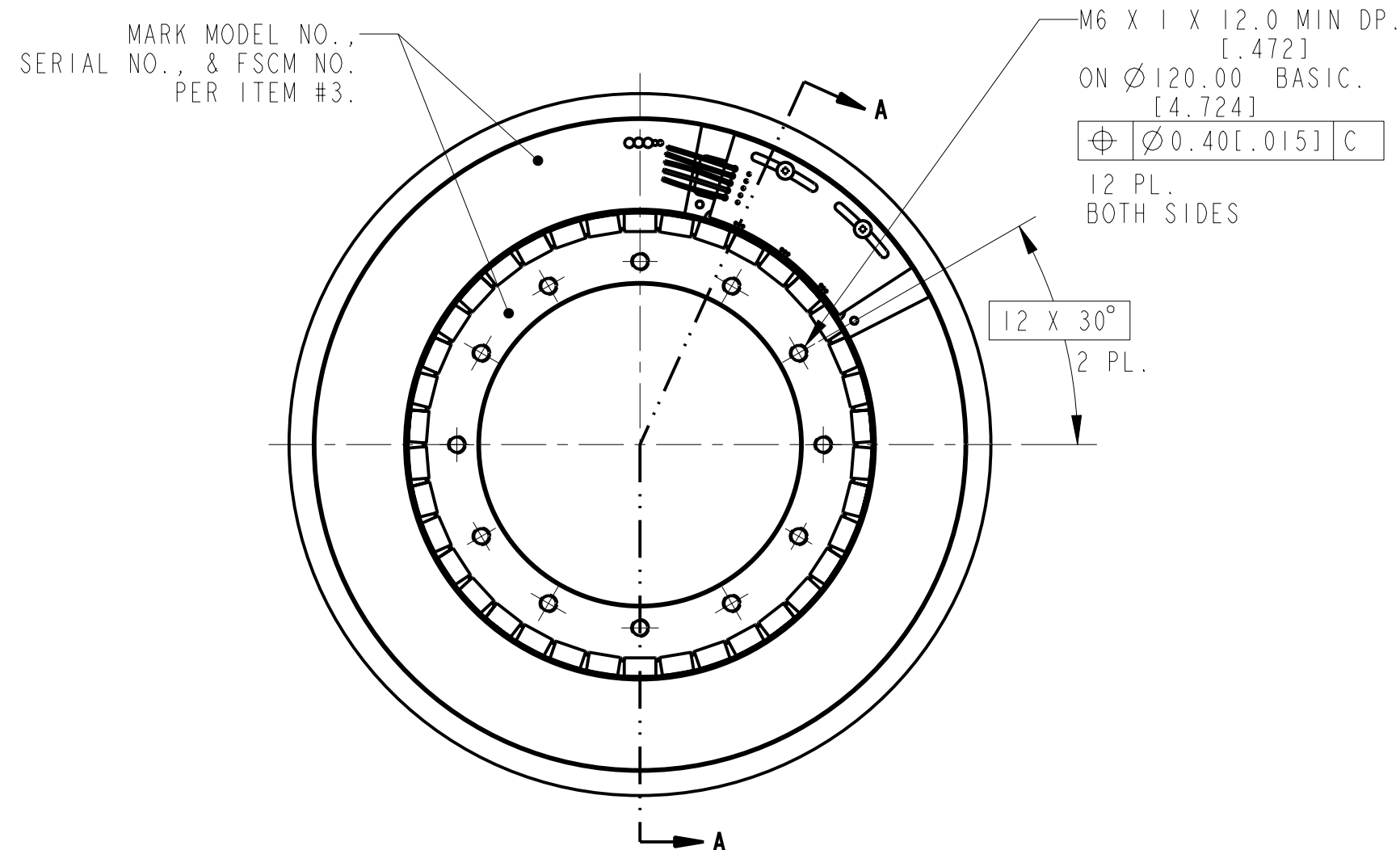
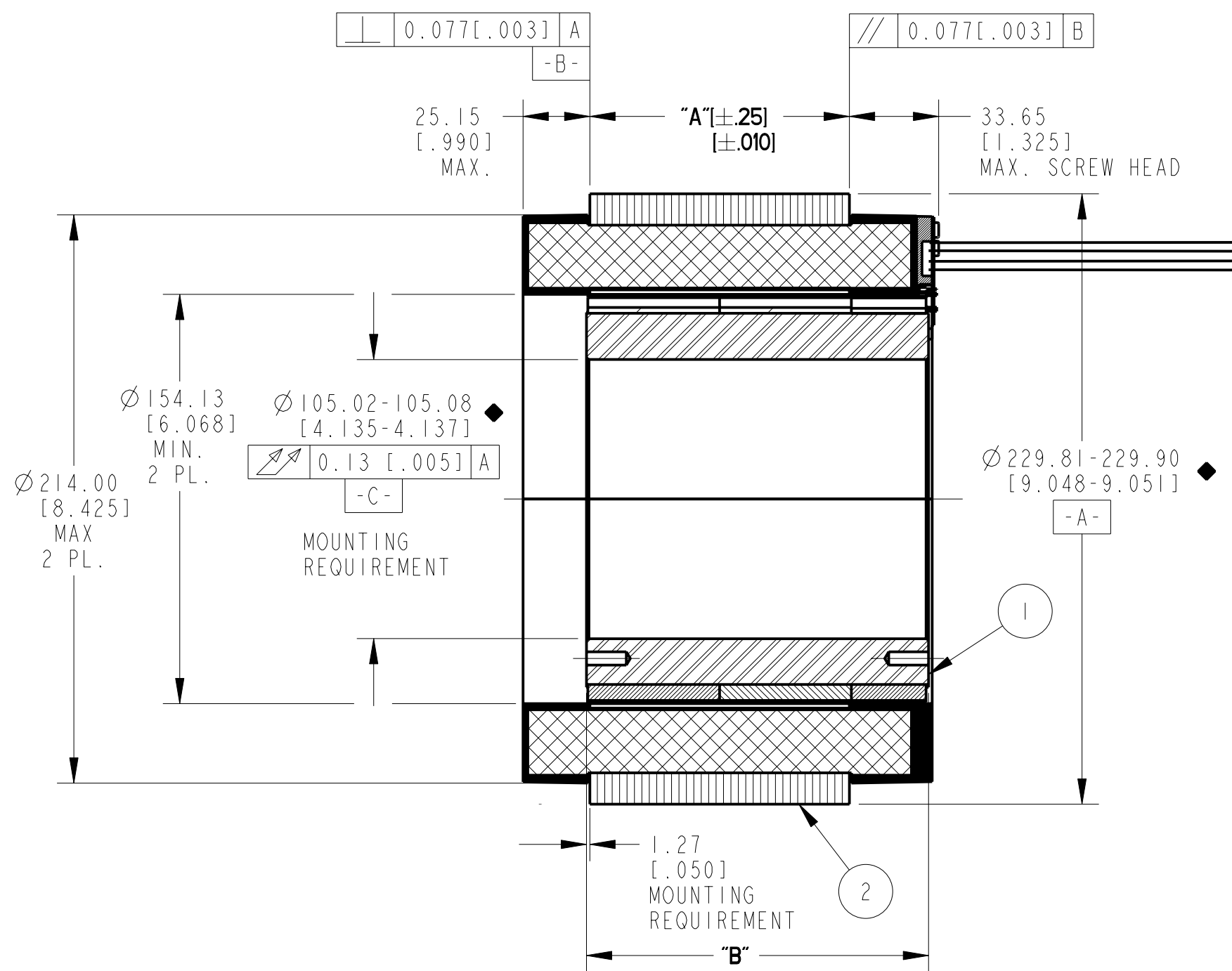
- NOTES:
- FOR A CCW ROTATION, AS VIEWED FROM LEAD END, ENERGIZE PER EXCITATION SEQUENCE BELOW.
 - MOTOR SUPPLIED AS TWO SEPARATE COMPONENTS, ARMATURE & SENSOR ASSEMBLY, AND FIELD ASSEMBLY.
 - R=1.5k OHMS APPROXIMATELY (CUSTOMER SUPPLIED).
 - EMF-UV, EMF-VW AND EMF-WU IS BACK EMF OF MOTOR PHASES UV, VW AND WU ALIGNED WITH SENSOR OUTPUT SHOWN FOR CCW ROTATION ONLY.
 - MINIMUM MOUNTING SURFACE FROM 220.98 [8.700] TO 229.87 [9.050] BOTH SIDES.
 - DIMENSIONS IN BRACKETS [] ARE ENGLISH UNITS FOR REFERENCE ONLY.
 - NO ANGULAR RELATIONSHIP BETWEEN MOUNTING HOLES ON EITHER SIDE OF ROTOR.
 - RoHS (DIRECTIVE 2002/95/EC AND AMMENDMENTS) COMPLIANCE REQUIRED.

MOTOR LEADS :
 #14 AWG, TEFLON INSULATED, U.L., 1199
 3 LEADS, 400 MM [15.75"] MIN
 1- BLUE 1- BROWN 1- VIOLET

THERMISTOR LEADS :
 #26 AWG, TEFLON INSULATED
 2 LEADS, 400 MM [15.75"] MIN
 1- BLUE 1- RED

SENSOR LEADS:
 #26 AWG, TEFLON COATED PER MIL-W-22759/11
 5 LEADS, 400 MM [15.75"] MIN
 1- BLUE 1- GREEN 1-BROWN 1-ORANGE 1-YELLOW

REVISION				
REV	ECN NO.	DESCRIPTION	DATE	APPROVED



POWER CONNECTION			
STEP	PHASE "U" BLUE	PHASE "V" BROWN	PHASE "W" VIOLET
1	+	-	-
2	+	-	-
3	-	+	-
4	-	+	-
5	-	-	+
6	-	-	+

MODEL NUMBER	ARMATURE ASSY H.V. INSULATION	ARMATURE ASSY STD. INSULATION	FIELD ASSY	DIM "A"	DIM "B"
KBMS-60X01	946157/01X	946196/01X	946158/01	48.11 [1.894]	78.99 [3.110]
KBMS-60X02	946157/02X	946196/02X	946158/02	97.71 [3.847]	128.78 [5.070]
KBMS-60X03	946157/03X	946196/03X	946158/03	147.32 [5.800]	178.31 [7.020]

THIS DOCUMENT IS ONLY FOR USE BY THE INTENDED RECIPIENT AND CONTAINS KOLLMORGEN CONFIDENTIAL INFORMATION

Pro/E Instance Name: KBMS60_OUTLINE_946156
 Pro/E Drawing Name: 946156
 Pro/E Model Type: ASSEM
 Pro/Engineer Drawing

METRIC DRAWING

UNLESS OTHERWISE SPECIFIED: REMOVE ALL SHARP BURRS AND BREAK ALL SHARP EDGES X DECIMAL PLACES ±.4 [.015] XX DECIMAL PLACES ±.13 [.005] ANGULAR DIMENSIONS ±1°

DO NOT SCALE DRAWING. USE DIMENSIONS ONLY. ALL DIMENSIONS ARE IN MILLIMETERS DIMENSIONS IN BRACKETS [] ARE IN INCHES AND ARE FOR REFERENCE ONLY.

INTERPRET GEOMETRIC SYMBOLS PER ANSI Y14.5M-1982

ITEM	QTY	IDENTIFYING NO.	DESCRIPTION
3	AR	IM-2709	MARKING PROCEDURE
2	I	SEE TABLE	ARMATURE ASSY
1	I	SEE TABLE	FIELD ASSEMBLY

LIST OF PARTS

KOLLMORGEN
 Inland Motor
 INLAND MOTOR
 501 FIRST STREET
 RADFORD, VIRGINIA 24141

OUTLINE
 KBMS-60XXX-X00

FSCM	SIZE	DWG. NO.	REV
11384	C	946156	-

SCALE: 0.500 JOB NO.: SHEET 1 OF 1

DWG. NO. 946156