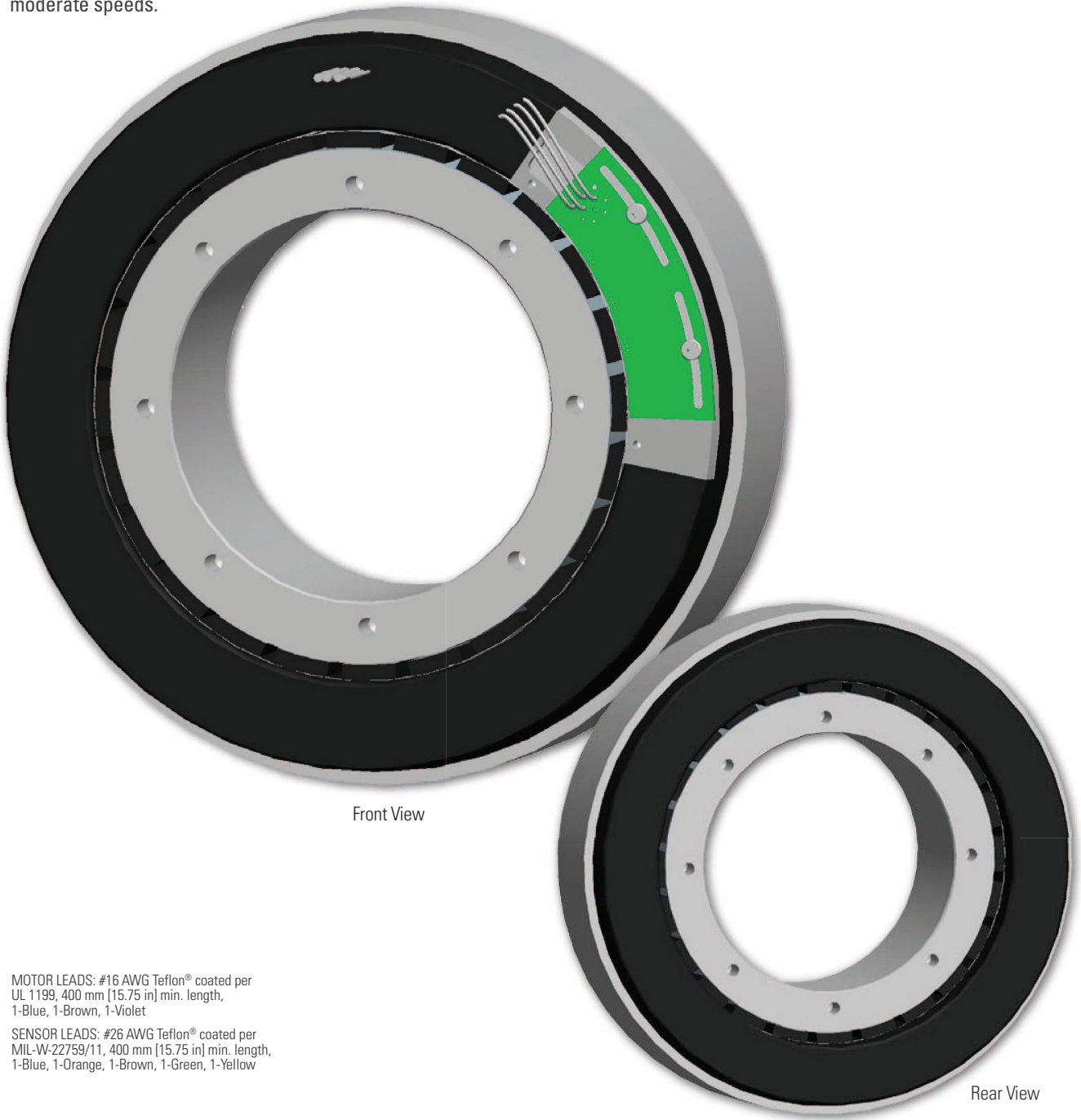


KBM 57 Frameless Motors

The KBM(S)-57 series provides a classic torque motor footprint - large diameter with a short axial length. With a skewed stator, low cogging, and low harmonic distortion these motors produce extremely smooth rotation. In addition, the high pole count and excellent torque / volume ratio makes the KBM(S)-57 an ideal fit for direct drive applications requiring high torque at low to moderate speeds.

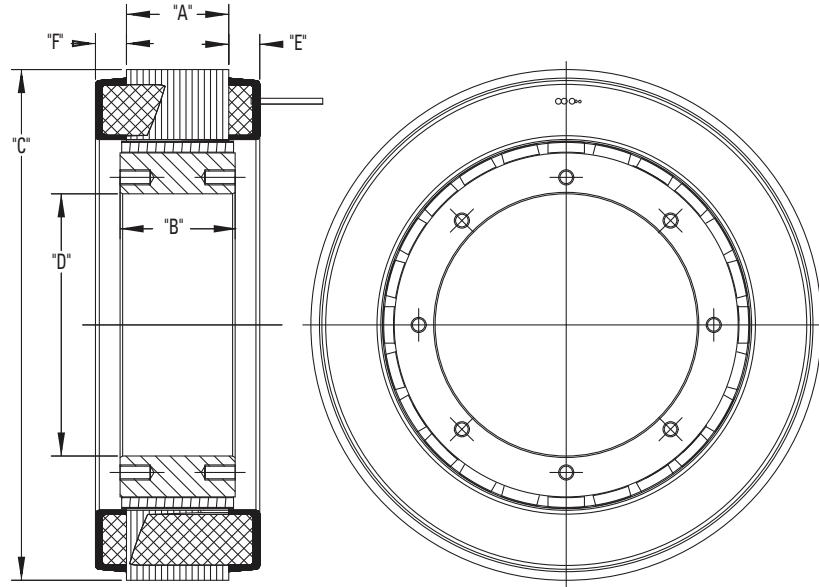


MOTOR LEADS: #16 AWG Teflon® coated per UL 1199, 400 mm [15.75 in] min. length, 1-Blue, 1-Brown, 1-Violet

SENSOR LEADS: #26 AWG Teflon® coated per MIL-W-22759/11, 400 mm [15.75 in] min. length, 1-Blue, 1-Orange, 1-Brown, 1-Green, 1-Yellow

KBM 57 Outline Drawings

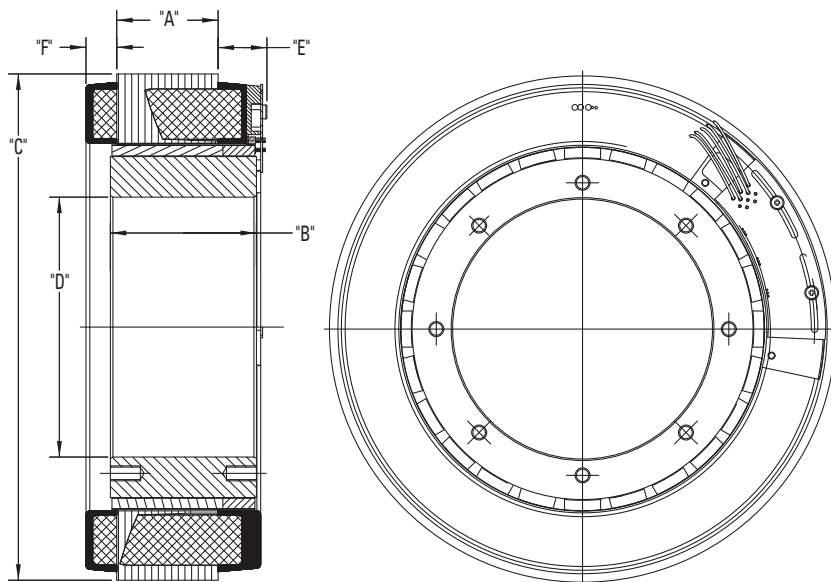
KBM 57



Model Number	"A" mm[inch]	"B" mm[inch]	Ø "C" mm[inch]	Ø "D" mm[inch]	"E" MAX mm[inch]	"F" MAX mm[inch]
KBM-57X01	20.32 [.800]	25.40 [1.000]	202.90 [7.988]	104.17 [4.101]	12.32 [.485]	12.32 [.485]
KBM-57X02	40.64 [1.600]	45.72 [1.800]	202.90 [7.988]	104.17 [4.101]	12.32 [.485]	12.32 [.485]
KBM-57X03	81.79 [3.220]	86.36 [3.400]	202.90 [7.988]	104.17 [4.101]	12.32 [.485]	12.32 [.485]

All dimensions are nominal. For more detailed and interactive 3D models with 2D product views, visit www.kollmorgen.com/kbm

KBMS 57

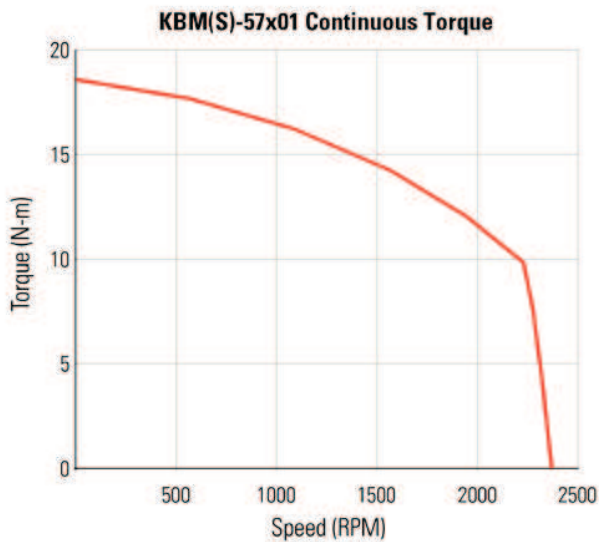


Model Number	"A" mm[inch]	"B" mm[inch]	Ø "C" mm[inch]	Ø "D" mm[inch]	"E" MAX mm[inch]	"F" MAX mm[inch]
KBMS-57X01	20.32 [.800]	38.23 [1.505]	202.90 [7.988]	104.17 [4.101]	20.32 [.800]	12.32 [.485]
KBMS-57X02	40.64 [1.600]	58.54 [2.305]	202.90 [7.988]	104.17 [4.101]	20.32 [.800]	12.32 [.485]
KBMS-57X03	81.79 [3.220]	99.44 [3.915]	202.90 [7.988]	104.17 [4.101]	20.32 [.800]	12.32 [.485]

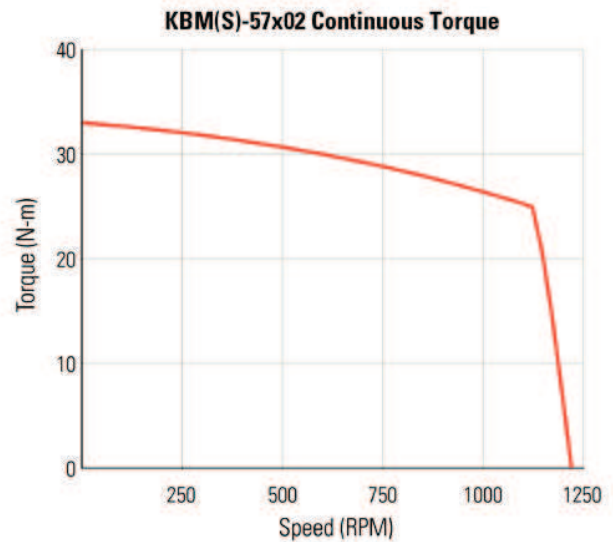
All dimensions are nominal. For more detailed and interactive 3D models with 2D product views, visit www.kollmorgen.com/kbm

KBM 57 Performance Curves

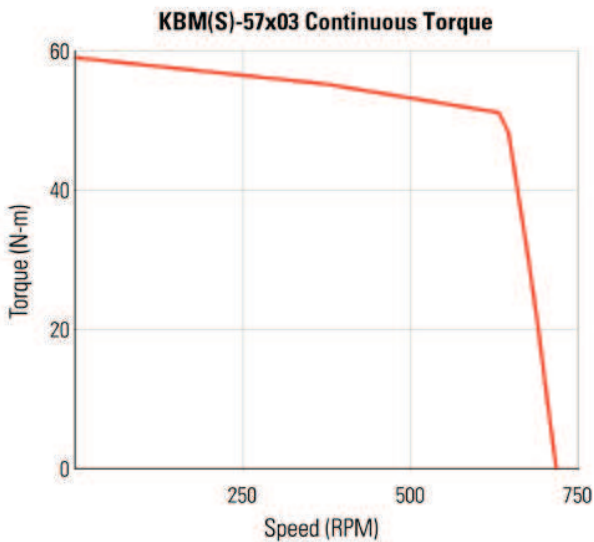
Continuous duty capability for 130°C rise in a 25°C ambient using recommended AKD servo drive and sinusoidal commutation.



— A Winding, 480 V / B Winding, 400 V / C Winding, 240 V



— A Winding, 480 V / B Winding, 400 V / C Winding, 240 V



— A Winding, 480 V / B Winding, 400 V / C Winding, 240 V

