

The DS-25 is a member of the DS series of Electric Encoders™ a product line based on Netzer Precision Motion Sensor proprietary technology. EE products are characterized by features that enable unparalleled performance:

- Low profile (7 mm)
- Hollow, floating shaft
- No bearings or other contact elements
- High resolution and unparalleled precision
- High tolerance to temperature extremes, shock, moisture, EMI, RFI and magnetic fields
- Very low weight
- Holistic signal generation
- Digital interfaces for absolute position

General

Angular resolution ¹	17 bits ; 131,072 CPR
Maximum tested static error ²	≤ 0.020°
Maximum operational speed	4,000 rpm
Measurement	Single turn absolute Position
Build In Test BIT	Optional

Mechanical

Allowable mounting eccentricity	±0.1 mm
Allowable rotor axial motion	±0.1 mm
Rotor inertia	11 gr · mm ²
Total weight	4 gr
Outer Ø / Inner Ø / Height	25 / 6 / 7 mm
Material (stator, rotor)	Ultem™ polymer

Notes - Optional (Call)

1	Angular resolution	18 - 19 bit
2	Static error	≤ 0.010°
3	Operating temperature	-40 °C to +125 °C

The Electric Encoder™ is unique in being holistic, i.e., its output reading is the averaged outcome of the whole area of the rotor. This feature makes the Electric Encoder™ forgiving to mounting tolerances, mechanical wander etc.

The absence of components such as ball bearings, flexible couplers, glass disc, light sources and detectors, along with very low power consumption makes the Electric Encoder™ virtually failure free.

The internally shielded, DC operated Electric Encoder™ includes an electric field generator, a field receiver, a sinusoidal shaped dielectric rotor, and processing electronics.

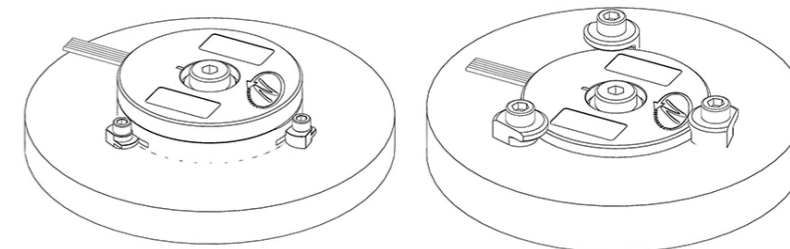
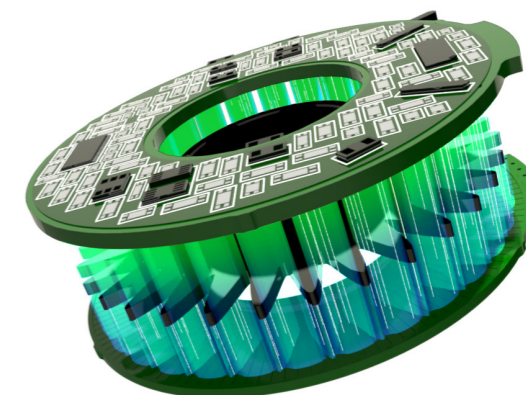
The output of Electric Encoder™ is a digital serial with absolute position single turn. The combination of precision, low profile, low weight and high reliability have made Netzer Precision encoders particularly suitable to a wide variety of industrial automation applications.

Electrical

Supply voltage	5V ± 10%
Current consumption	70 mA
Interconnection	#30 shielded cable
Cable Length	1,500 mm MAX

Environmental

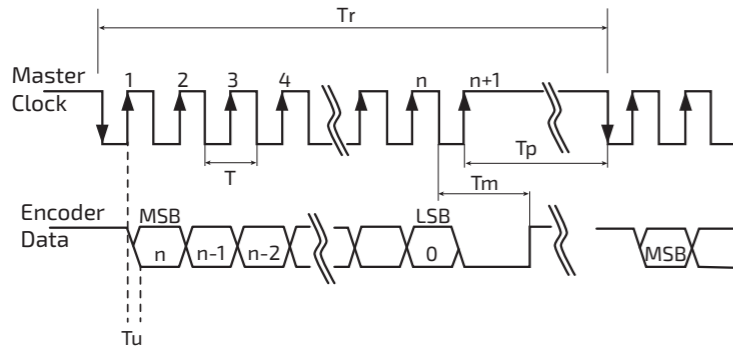
EMC	IEC 6100-6-2, IEC 6100-6-4
Operating temperature ³	-40°C to +85°C
Storage temperature	-60°C to +140°C
Relative humidity	98% Non condensing
Shock endurance	100 g for 11 ms
Vibration endurance	20 g 10 – 2000 Hz
Protection	IP 40



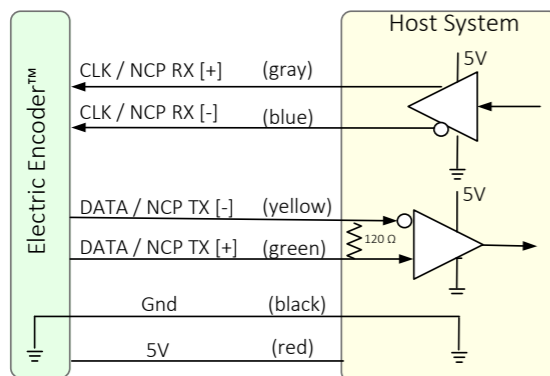


Digital SSI Interface

Synchronous Serial Interface (SSI) is a point to point serial interface standard between a master (e.g. controller) and a slave (e.g. sensor) for digital data transmission.



	Description	Recommendations
n	Total number of data bits	12 - 19
T	Clock period	
f=1/T	Clock frequency	0.1 ÷ 5.0 MHz
Tu	Bit update time	90 nsec
Tp	Pause time	26 - ∞ µsec
Tm	Monoflop time	>25 µsec
Tr	Time between 2 adjacent requests	Tr > n*T+26 µsec
fr=1/Tr	Data request frequency	



SSI / BiSS output signal parameters

Output code	Binary
Serial output	Differential RS-422
Clock	Differential RS-422
Clock Frequency	0.1 ÷ 5.0 MHz
Position update rate	35 kHz (Optional - up to 375 KHz)

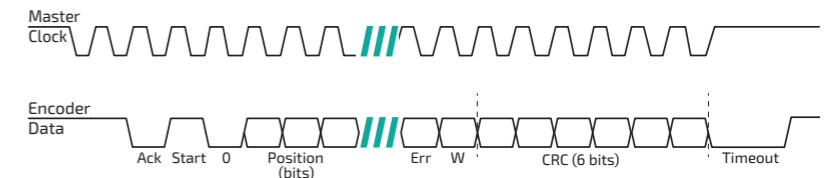
SSI / BiSS interface wires color code

Clock +	Gray	Clock
Clock -	Blue	
Data -	Yellow	Data
Data +	Green	
GND	Black	Ground
+5V	Red	Power supply



Digital BiSS-C Interface

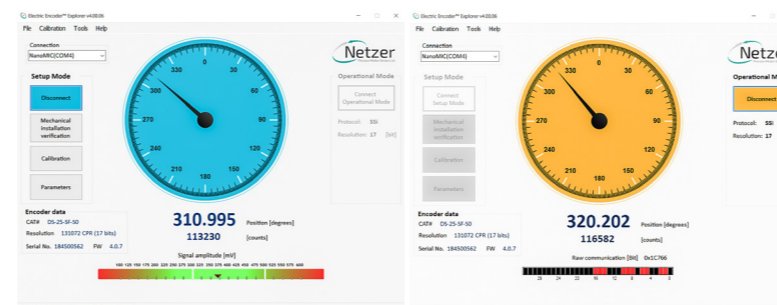
BiSS - C Interface is unidirectional serial synchronous protocol for digital data transmission where the Encoder acts as "slave" transmits data according to "Master" clock. The BiSS protocol is designed in B mode and C mode (continuous mode). The BiSS-C interface as the SSI is based on RS-422 standards.



Bit #		Description	Default	Length
27	Ack	Period during which the encoder calculates the absolute position, one clock cycle	0	1/clock
26	Start	Encoder signal for "start" data transmit	1	1 bit
25	"0"	"start" bit follower	0	1 bit
8...24	AP	Absolute Position encoder data		
7	Error	Error (amplitude levels)	1	1 bit
6	Warn.	Warning (non active)	1	1 bit
0...5	CRC	The CRC polynomial for position, error and warning data is: $x^6 + x^1 + x^0$. It is transmitted MSB first and inverted. The start bit and "0" bit are omitted from the CRC calculation.		6 bits
	Timeout	Elapse between the sequential "start" request cycle's.		25 µs

Software tools: (SSI / BiSS - C)

Advanced calibration and monitoring options are available by using the factory supplied Electric Encoder Explorer software, This facilitates proper mechanical mounting, offsets calibration and advanced signal monitoring.



Ordering Code

DS - 25 - S F - S 0

DS Product line

Outer Diameter

Output

S	SSi
I	BiSS

Resolution

Code	Bit	CPR
F	17	131,072

BIT (Build In Test): optional

[]	None
B	BIT

Rotor options - Ø ID

[]	Default, 6 mm
M	Rotor metal sleeve, 4.5 mm

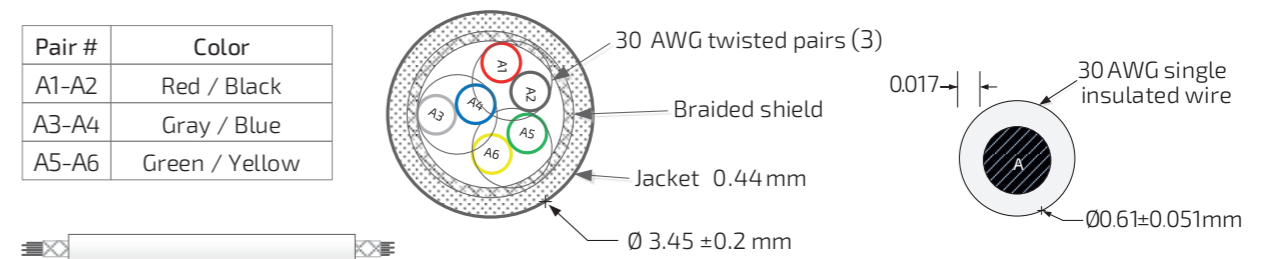
Interconnection

0	Flying leads
S	Shielded cable 250 mm

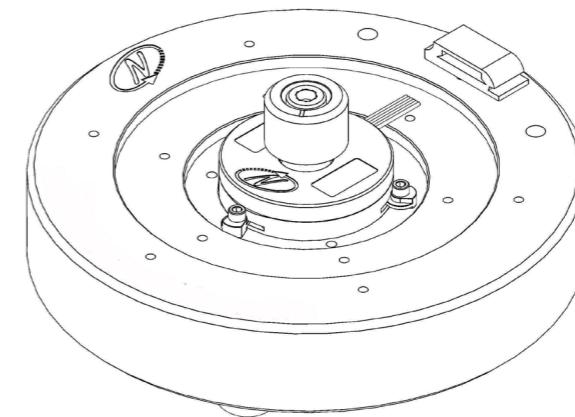
Cable Information

Netzer Cat No.: CB 00014
Cable: 30 AWG twisted pair (3):
2 (30 AWG 25/44 tinned copper, Insulation: PFE Ø 0.15 to Ø 0.6 ± 0.05 OD)
Temperature rating: -60 to +150 Deg C
Braided shield: Thinned copper braided 95% min. coverage
Jacket: 0.44 silicon rubber (NFA 11-A1) Ø3.45 ±0.2 OD

Pair #	Color
A1-A2	Red / Black
A3-A4	Gray / Blue
A5-A6	Green / Yellow



Optional Accessories



Related documents

DS-25 User Manual : Mechanical , Electrical and calibration setup.

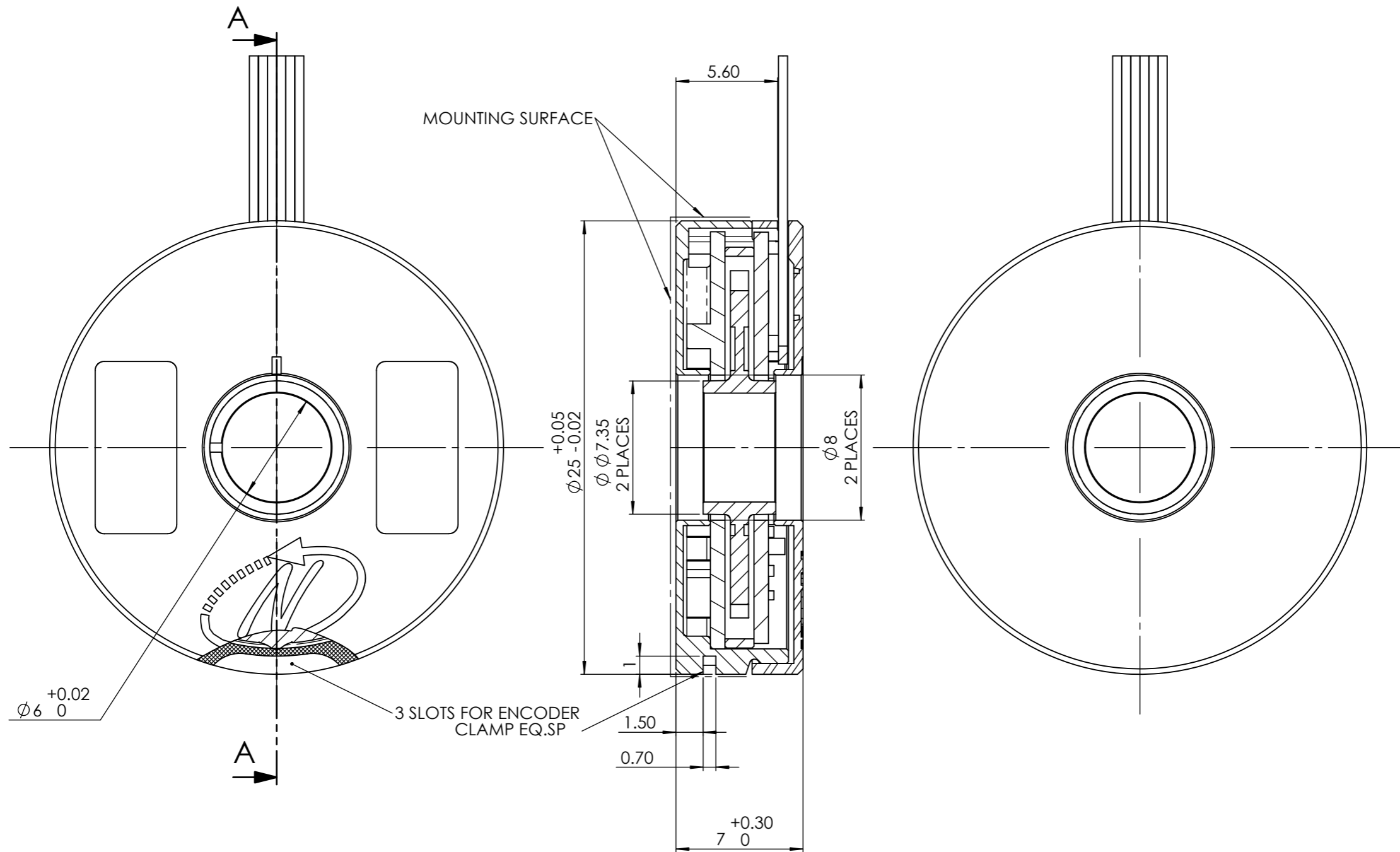
Demonstration Kit

DKIT-DS-25-SF with SSi interface

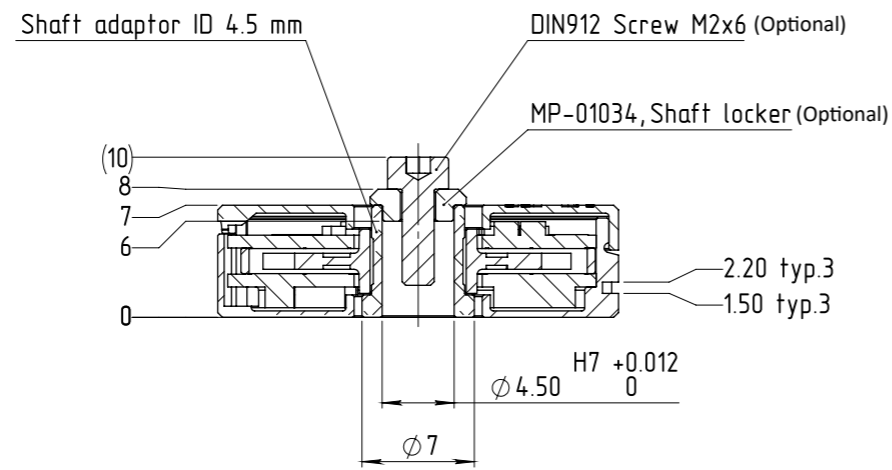
DKIT-DS-25-IF with BiSS interface

Includes, mounted encoder on rotary jig, and RS-422 to USB converter.

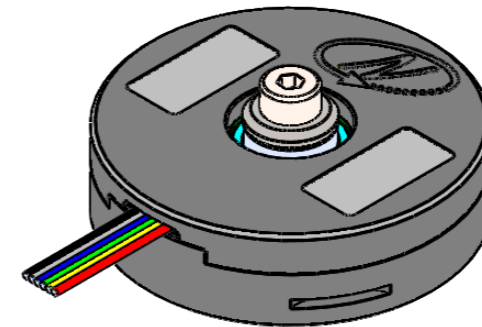
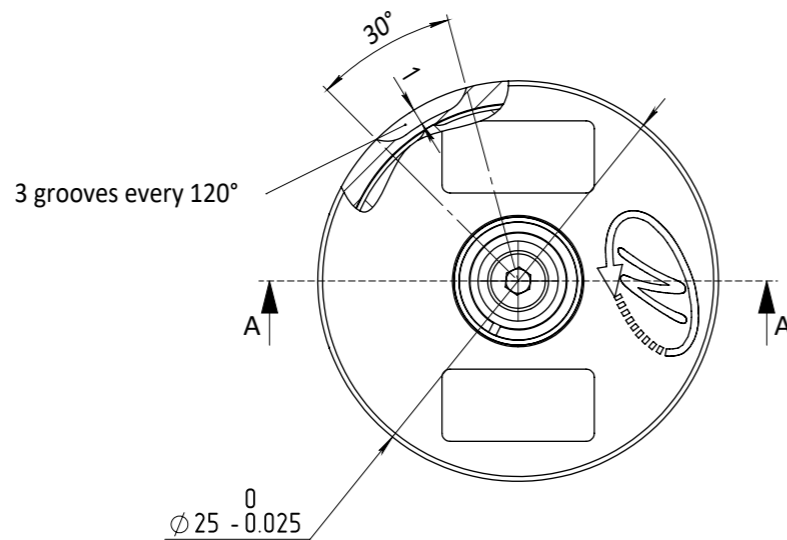
ICD



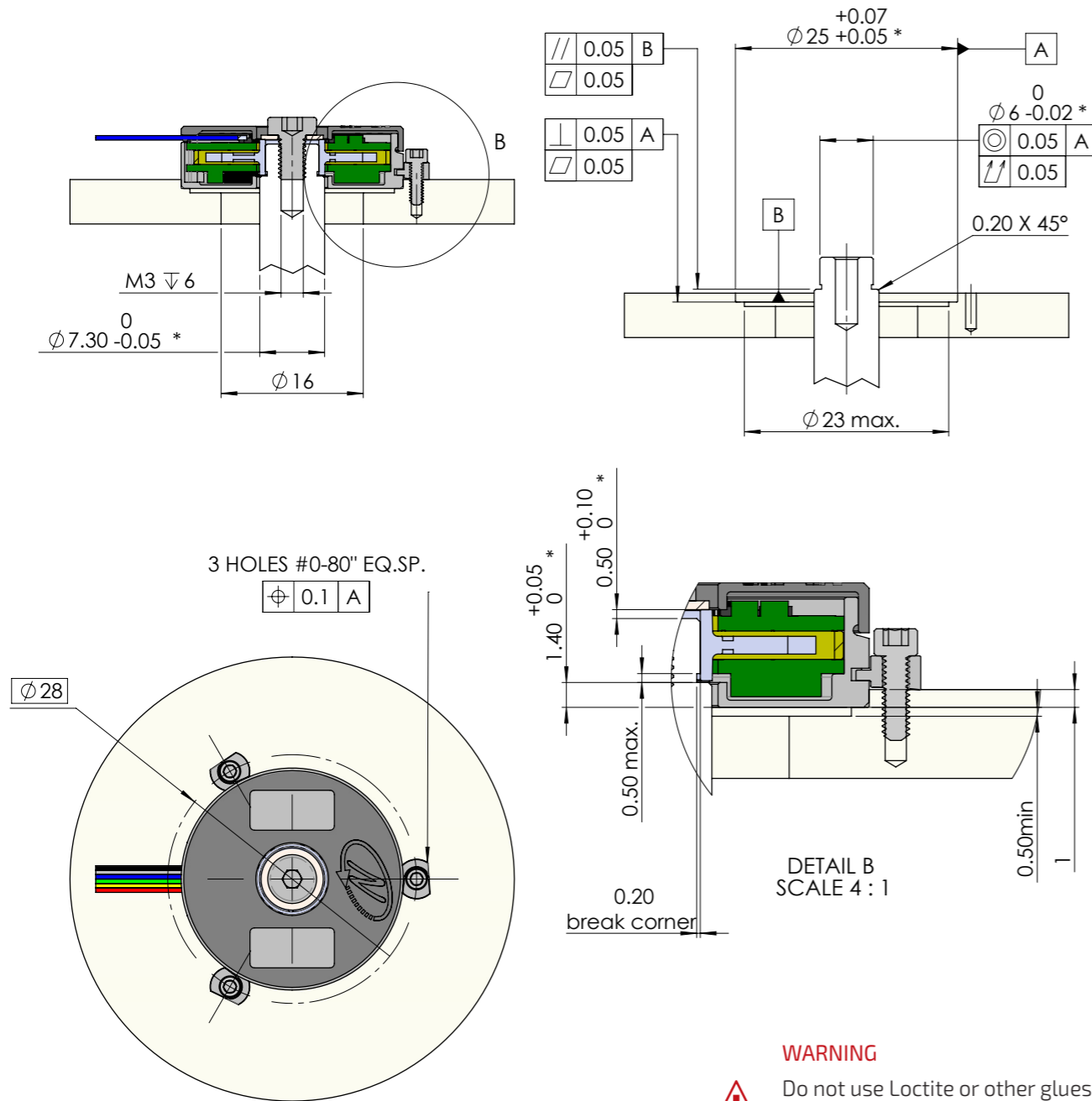
DS-25 with rotor metal sleeve



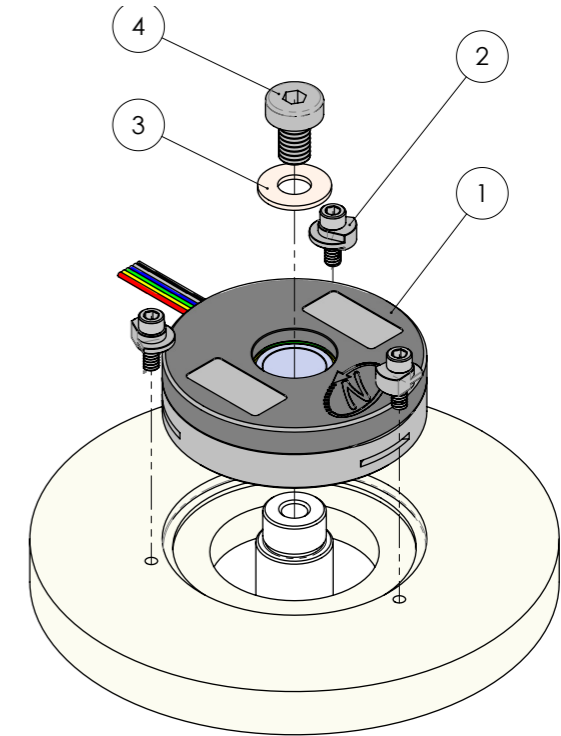
SECTION A-A



Shaft - End installation (step)



WARNING
 Do not use Loctite or other glues containing Cyanoacrylate. We recommend to use 3M glue - Scotch-Weld™ Epoxy Adhesive EC-2216 B/A.



No	Part	Included	Description	QTY.	
1	DS-25	Included	DS-25 encoder	1	
2	EAPK004	Included	Kit 0-80" Kit, 3 x encoder clamps nylon	1	
3	MA-DS25-004	Optional	Shaft end installation kit	Washer DIN125-A3.2	1
4				Screw DIN 7984 M3x5	1

Critical dimensions marked with "*"

