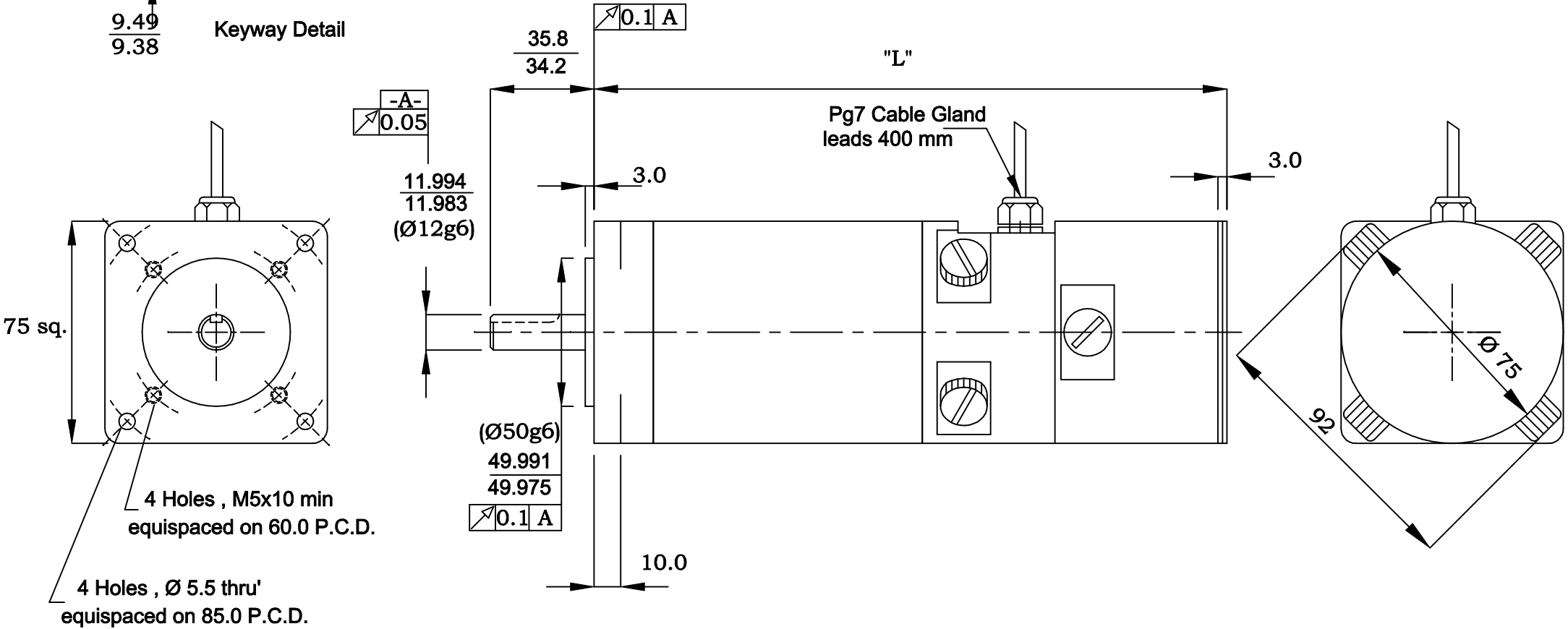


Motor Part Number	Length "L"
M4-2003x-00001-000	159
M4-2004x-00001-000	177
M4-2005x-00001-000	196
M4-2006x-00001-000	214

Keyway Detail



4 Holes , M5x10 min
equispaced on 60.0 P.C.D.

4 Holes , Ø 5.5 thru'
equispaced on 85.0 P.C.D.

- Notes :-
1. With a positive current applied to green lead with respect to orange lead of motor, rotation shall be clockwise facing mounting end of motor.
With this rotation, a positive voltage shall be generated on black lead of tach with respect to white lead.
 2. Motor can be mounted in any position.

				Tolerances.		Scale :		Weight :	
				X.X = ± 0.3 mm X.XX = ± 0.1 mm Ang. Dim. = ± 1°		NTS			
						Material :			
						Remove all burrs and sharp corners			
				Drawn	Date	Outline - Rare Earth Magnet Servomotor			
				App'd	22/6/06	M4-200X-00001-000			
1				Norm					
Issue	ECO. No.	Date	Name	App'd	Norm				
Callan Technology Ltd.						M4-200X-00001-000			Sheet
									1
									of 1